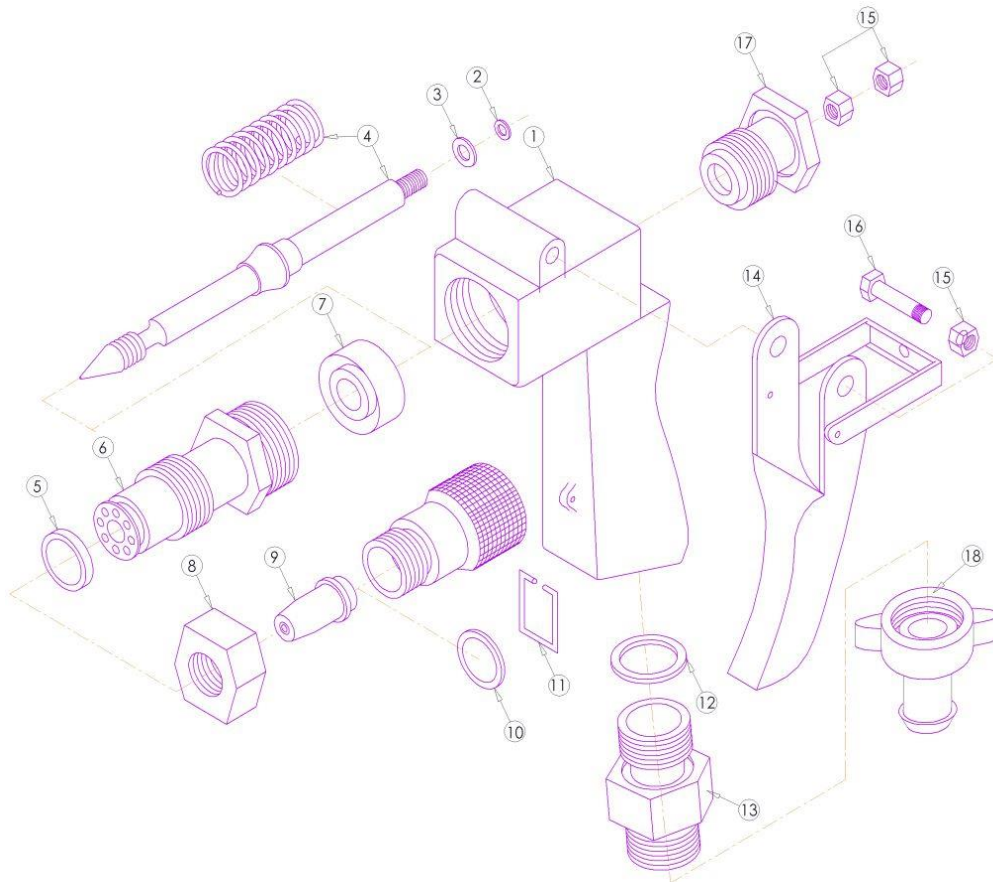


HG2 Handgun
Part number #4000-3900



| Number | Qty | Part Number | Description |
|--------|-----|-------------|---|
| 1 | 1 | 4000-3928 | Hand Gun-HG2-Housing-Gun Body |
| 2 | 1 | 4000-3944 | Hand Gun-HG2-O'Ring-Needle Shaft |
| 3 | 1 | 4000-3924 | Hand Gun-HG2-Gasket-Washer-Needle Shaft |
| 4 | 1 | 4000-3952 | Hand Gun-HG2-Shaft-Needle/Flow Adjusting-One Piece |
| 5 | 1 | 4000-3946 | Hand Gun-HG2-O'Ring-Needle Shaft-Rear |
| 6 | 1 | 4000-3930 | Hand Gun-HG2-Housing-Nozzle Adjusting |
| 7 | 1 | 4000-3950 | Hand Gun-HG2-Seal-Teflon |
| 8 | 1 | 4000-3942 | Hand Gun-HG2-Nut-Nozzle Tip Retaining |
| 9 | 1 | 4000-3936 | Hand Gun-HG2-Nozzle-Tip-2.0mm |
| 10 | 1 | 4000-3948 | Hand Gun-HG2-O'Ring-Nozzle Tip |
| 11 | 1 | 4000-3932 | Hand Gun-HG2-Lock-Trigger |
| 12 | 1 | 4000-3926 | Hand Gun-HG2-Gasket-Washer-Swivel Connect-26x18x2-Rubber |
| 13 | 1 | 4000-3922 | Hand Gun-HG2-Connector-Hose to Gun-1/2BSPMx1/2BSPM |
| 14 | 1 | 4000-3954 | Hand Gun-HG2-Trigger Assembly |
| 15 | 3 | 4000-3940 | Hand Gun-HG2-Nut-Needle Shaft Adjust |
| 16 | 1 | 4000-3916 | Hand Gun-HG2-Bolt & Nut-Trigger |
| 17 | 1 | 4000-3920 | Hand Gun-HG2-Bush-Threaded-Needle Shaft-Rear |
| 18 | 1 | 6200-1640 | Pipe-Fitting-Connector-Straight-10 Shank-Incl 1/2BSPF Fly Nut-Brass |