



OWNER'S MANUAL
FOR THE
SPREADMASTER
generation 2



MOUNTED SPREADER

C-Dax Ltd
PO Box 1010, 145 Harts Road
Tiritea, Palmerston North
Ph:06 354 6060
Fax:06 355 3199
E-Mail: sales@c-dax.co.nz
www.c-dax.co.nz

SAFETY PRECAUTIONS

SPREADMASTER

AN IMPORTANT MESSAGE FOR OWNERS & OPERATORS OF C-Dax ATTACHMENTS/ACCESSORIES

Be warned of the dangers of loading your ATV or other vehicle in excess of its carrying capacity. It is important to understand that any loads or attachments whether fastened to or placed on a vehicle or ATV will alter the stability or handling characteristics of that vehicle or ATV. Spray tanks or other equipment must be filled only to a level where the gross weight is within the load limit of the ATV or other vehicle.

Safety is a primary concern in the design, manufacture, sale, and use of spray tanks and other equipment. As manufacturers of spray tanks and other equipment we want to confirm to you, our customers, our concern for safety. We take this opportunity to remind you about the simple, basic and common sense rules of safety when using spray tanks and other equipment. Failure to follow these rules can result in severe injury or death to operators and bystanders.

It is essential that everyone involved in the assembly, operation, transport, maintenance and storage of this equipment be aware, concerned, prudent and properly trained in safety.

This also applies to equipment that is loaned or rented to someone who has not read the owner's manual and is not familiar with the operation of application equipment.

- NEVER EXCEED THE LOAD LIMIT CAPACITY OF THE ATV OR OTHER VEHICLE.
- ALL ATV AND TRAILED EQUIPMENT TYRES SHOULD BE INFLATED TO MANUFACTURERS RECOMMENDED OPERATING PRESSURES.
- PLEASE NOTE THAT FILLING THE SPRAY TANK OR OTHER EQUIPMENT COMPLETELY AND OR THE ATTACHMENT OF ADDITIONAL EQUIPMENT TO THE ATV MAY EXCEED THE ATV'S MAXIMUM LOAD CAPACITY AND IT IS NOT RECOMMENDED TO EXCEED MANUFACTURERS GUIDELINES
- CARGO SHOULD BE PROPERLY DISTRIBUTED AND SECURELY ATTACHED.
- REDUCE SPEED WHEN CARRYING CARGO OR PULLING A TRAILER OR TRAILED APPLICATION EQUIPMENT AND ALLOW GREATER DISTANCE FOR BRAKING.
- NEVER ALLOW ANYONE TO RIDE ON YOUR SPRAYER OR OTHER EQUIPMENT.
- ALWAYS FOLLOW THE INSTRUCTIONS IN THE OWNER'S VEHICLE MANUAL FOR CARRYING CARGO OR PULLING A TRAILER.
- PROPER MAINTENANCE IN LINE WITH MANUFACTURER'S RECOMMENDED MAINTENANCE PROCEDURES IS ESSENTIAL.
- BEFORE APPLYING CHEMICALS, READ THE LABEL OF THE CHEMICAL MANUFACTURER OR SUPPLIER FOR PERSONAL PROTECTIVE EQUIPMENT AND OPERATE AS RECOMMENDED.
- THE SAFETY OF ALL CHEMICALS USED IN AGRICULTURE IS UNDER THE JURISDICTION OF A GOVERNMENT AGENCY, IE N.Z. MINISTRY FOR THE ENVIRONMENT; USA ENVIRONMENTAL PROTECTION AGENCY. FURTHER LOCAL GOVERNMENT OR STATE LAWS MAY APPLY.

Throughout this manual there are highlighted text boxes containing warnings, cautions and notes.
Warnings are mandatory instructions to prevent serious injury or permanent damage.
Cautions are advisory instructions to ensure reliable operation of the equipment.
Notes are for convenient operation

WARNING

For safe operation ensure that your vehicle is adequate for the task. The maximum tare weight is 60 Kg or as recommended by the vehicle manufacturer.

SAFTEY PRECAUTIONS CONT...

- Read the instruction book thoroughly before attempting to install or operate the spreader. Failure to read the manual constitutes misuse of the equipment and will invalidate the warranty.
- The maximum loaded weight of the spreader should not exceed the manufacturer's specific carrier weight limit.
- Never turn the spreader on if there is someone standing near the spinner.
- Make sure the spinner is turned off and the shutter is closed before loading the hopper.
- Never use dirty product or product with stones or lumps.
- Never replace the fuse with one larger than the maximum recommended rating of 20 Amps.
- If using the spreader on hilly terrain, the payload should be reduced to ensure that the spreader and vehicle stability are not compromised.
- Never allow anyone to ride on the spreader.
- Keep the spreader in good condition. Cleanliness and maintenance are essential for safe and trouble free operation. Never leave product in the hopper or store the spreader without cleaning it.

C-Dax SPREADMASTER G2

OWNER'S MANUAL

(Pt.No.2400-7000 Issue 13, May 2018)

TABLE OF CONTENTS

2	Safety Precautions
3	Safety Precautions Cont.
4	Table of Contents
5	Introduction
	Description
	Specifications
6	Order Information
	Optional Equipment
	Warranty
	Liability
8	Installation
	Flatdeck
9	Quick Smart spreader attachment
	Quick Smart attachment system
	Wiring
	Operation
10	System Interconnections
	Calibration
11	Calibration Guide
12	Operating the Spreader
	Adjusting the Spread Pattern
	Maintenance
	Before Use
13	After Each Use or Daily When in Use
	Repairs
	Removal of the Motor
	Removal of the Spinner
	Removal of the Agitator Shaft
	Removal of the Delivery chute
	Removal of the Hopper
	Removal of the Shutter
	Reassembly
14	Installing a New Agitator Flail
	Trouble Shooting
15	Exploded Parts Diagram
15	Parts List

INTRODUCTION

Congratulations on the purchase of your new SpreadMaster spreading unit. You join the many farmer's world-wide who have recognised the remarkable usefulness of this unique piece of equipment.

DESCRIPTION

The C-Dax SpreadMaster is designed for accurate application of seeds, fertilisers, and powdered products.

The uniquely designed 70 Litre translucent non-corrosive polyethylene hopper is specially profiled for good product flow and ease of filling. The convenient hinged polyethylene snap shut lid ensures secure product storage. A two-stage agitator and stainless steel shutter and choke assembly ensures even and controlled flow of product to the spinner. A sturdy convenient shutter handle ensures positive open and closed action of the shutter. A unique six-vane stainless steel spinner driven by a 12 VDC motor provides 180 degrees spread of product.

The SpreadMaster can be ordered in three configurations:

- The SpreadMaster can be bolted to a flat vertical surface such as the tailboard of a trailer. Part number 3000
- The SpreadMaster can be ordered with a Quick Smart system. Complete with the convenient Quick Smart™ attachment system for the rear carrier of ATVs and a Quick smart spreader bracket. Part numbers 3000, 1073 and 3008
- The SpreadMaster can be ordered with a Quick Smart spreader bracket. Part numbers 3000 and 3008

SPECIFICATIONS

(Specifications subject to change without notice)

Dry Weight	20 Kg (Spreader Only)
Dimensions	Width 600 mm Height 780 mm Length 500 mm
Capacity	70 litre
Power Consumption	12 VDC 6.5 amps off load, 20 amps fully loaded
Drive	12 VDC motor with remote control switch
Control	Adjustable stainless steel slide choke
Shutter	Manual control handle
Agitator	Flexible upper arm, motor driven
Spinner	Non-Corrosive, medium density, UV stabilised polyethylene
Hopper	Non-corrosive polyethylene, ergonomically designed for ease of filling and inspection
Hopper Lid	Non-corrosive polyethylene snap shut
Frame	Powder coated steel (Optional Galvanised Frame)
Application Rate (Min)	1.6 Kg per hectare at 10 kph (nominal urea)
Application Rate (Max)	50 Kg per hectare at 10 kph (nominal urea)
Spread Width	15m (nominal urea)

ORDER INFORMATION

(Galvanised Models)	SpreadMaster	Pt.No.3000
	Quicksmart spreader attachment	Pt.No.3008
	Quicksmart attachment system	Pt.No.1073

OPTIONAL EQUIPMENT

Control Cable Extensions, 3 Metre **Pt.No.1500-4700**

If the Control Panel is to be placed at a distance from the vehicle battery, the battery cable may need to be extended. The cable can be cut and the optional connector set (Pt No.30008) installed on the ends of the wires. The Male connector must be installed on the Control Panel cable. Adding a 1.5 metre or 3.0 metre extension cable can then extend the cable.

WARRANTY

1 **WARRANTY AND LIABILITY**

Use of the equipment

- 1.1 You must satisfy yourself as to the suitability of the equipment for your intended use(s) of the equipment.

Your relationship with the retailer

- 1.2 Where you consider you have a warranty claim (or any other claim) in relation to the equipment, you must contact the retailer who sold you the equipment, not C-Dax directly. The retailer is responsible for liaising with C-Dax in respect of your claim.

Warranty

- 1.3 C-Dax warrants to the original purchaser that the equipment is sold free from defects in materials and workmanship for a period of 12 months from date of first retail sale (6 months from date of first retail sale if the equipment is sold in the U.K.) subject to the terms set out below.
- 1.4 C-Dax will at its option repair or replace the defective equipment (or part of the equipment) or notify the retailer of the equipment to refund the purchase price for such defective equipment to you in the event of a breach of this warranty, subject to the terms set out below.

Liability

- 1.5 Except for the warranty set out in clause 1.2 above, all warranties and representations (including those expressed or implied by law) in respect of the equipment or advice relating to the equipment provided to you by C-Dax are excluded to the extent permitted by law.
- 1.6 Notwithstanding anything else in this manual, C-Dax's maximum liability to you (in the event that such liability exists) in respect of any breach of warranty, any matter set out in this manual, or for defective equipment or advice relating to the equipment provided is limited at C-Dax's option to:
- (a) repairing or replacing the equipment (or part of the equipment); or
 - (b) notifying the retailer of the equipment to refund the price for the equipment paid by you.

- 1.7 Notwithstanding anything else in this manual, in no event will C-Dax be liable, whether in contract, tort (including negligence) or otherwise:
- (a) where you have altered or modified the equipment, misused or misapplied the equipment, or the equipment has been subjected to any unusual, excessive or non-recommended use, service or handling (including as set out in this manual);
 - (b) where the equipment is not transported, stored, handled or used in accordance with any directions given by C-Dax (or the retailer) to you (including as set out in this manual);
 - (c) where the equipment:
 - (i) has been subject to neglect, accident or hireage, or the damage arises from fair wear and tear, battery damage or chemical attack;
 - (ii) has been built to a customer's specifications; or
 - (iii) has been dismantled, repaired or serviced other than by an authorised service agent of C-Dax;
 - (d) for loss or damage caused by any factors beyond C-Dax's control; or
 - (e) for any loss of profit or revenue, or for any special, indirect, incidental or consequential damage, loss or injury of any kind suffered by you.
- 1.8 Where C-Dax elects to repair or replace the equipment it will use reasonable endeavours to do so as soon as practicable but will not be liable for any delay in doing so.
- 1.9 You agree that the transactions entered into between you and the retailer (and C-Dax) are for the purposes of trade and that, having regard to all relevant circumstances of the transactions, it is fair and reasonable that the provisions of the Consumer Guarantees Act 1993 (NZ) do not apply to those transactions to the fullest extent permitted by law.

INSTALLATION

All Models

Unpack the spreader and check the contents. The following parts are included;

Spreader Unit
Console
Owner's Manual
Shutter Lever Assembly
Shutter Lever Friction Washer

If you have purchased a Quicksmart and/or Quicksmart spreader frame you may also have the following.

- QS Spreader Adaptor Bracket with attachment bolts and nuts (4 sets)
- Quick Smart™ ATV Bracket with attachment clamps and hardware (4 sets)

Insert the shutter lever into the top bracket on the side of the spreader frame and apply pressure upward to compress the spring.

Locate the friction washer over the pin at the bottom of the handle and insert the pin into the bottom bracket on the spreader frame ensuring that the hole in the end of the shutter lever is located over the pin on the shutter arm on the spreader.

Operate the shutter handle to check that the shutter moves positively and stays in the fully open and closed positions.

Flatdeck Mounting

Mark and drill four 8mm holes in the vertical surface where the machine is to be attached. Bolt the machine in place using 8mm bolts of the correct length (client supplied). The minimum recommended spinner height from the ground is 500mm.

CAUTION

For proper operation of the spreader it is not recommended that it be bolted to a horizontal surface without additional support for the chassis. If mounting on a horizontal surface use two 'L' brackets (client supplied) to support the rear of the frame.

NOTE

The spreader will need to be in reach so that the operator can work the shutter handle.

Bolt the machine in place using 8mm bolts of the correct length (client supplied).

Quick Smart system mounting

Install the Quick Smart™ attachment kit on the ATV as detailed in the installation instructions provided in the kit.

Quick Smart spreader attachment

Attach the QS Adaptor Bracket to the spreader using the M8x25 nuts and bolts provided.

Attach the spreader to the ATV by locking the adaptor bracket into the QS ATV bracket. Ensure that the bracket is correctly engaged under the latches.

Wiring

Place the console in the required position and connect the battery cable to the vehicle battery. The red wire must be connected to the positive terminal. Attach the console to the vehicle using the self adhesive Velcro fasteners provided.

WARNING

To avoid injury ensure that the switch is in the OFF position before connecting cables.

Connect the console to the spreader. Ensure that any excess cable is stowed where it cannot be pinched or damaged.

Switch the spreader on and check that the spinner turns clockwise when viewed from the top. If the spinner turns anti-clockwise, reverse the polarity of the wiring. Your spreader is now ready to use.

OPERATION

The product to be spread is placed in the hopper and the lid snapped shut.

When the switch is turned on electrical power is supplied to the spinner motor. The spinner will spin up to operating speed.

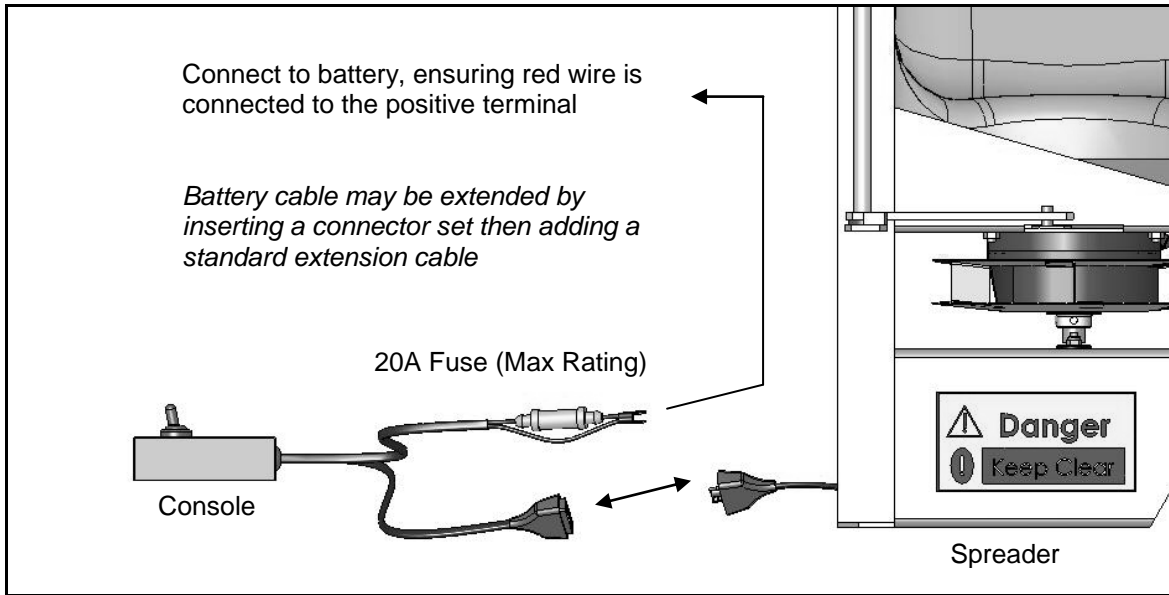
When the shutter handle is pulled toward the operator the shutter will open to a position determined by an adjustable stop. Product will then flow from the hopper through an adjustable orifice into the delivery chute. At the base of the chute there are two delivery holes which ensure that product enters the spinning disk at the correct position to spread the product behind the spreader over 180 degrees.

An agitator shaft in the bottom of the hopper ensures that product flows continuously through the metering orifice, and ensures that product does not bridge in the neck of the hopper.

CAUTION

The agitator flail may not be required for free-flowing products such as granulated fertiliser and seed. To avoid overloading the motor the flail may be removed when these products are being applied.

SYSTEM INTERCONNECTIONS



CALIBRATION

Make sure the shutter is in the closed position.

If free flowing products are to be applied, configure the agitator to suit.

To calibrate your spreader place a measured amount of product in the hopper.

Set the choke to position (1-9) as indicated in the Calibration Guide on the following page.

Drive the spreader at the desired speed and open the shutter.

When the product has been exhausted, measure the area covered in square metres. It is recommended that this be done over an area where the product can be seen on the ground so that the spread width can be measured. A plastic sheet may be used.

Check the application rate using the following formula:

$$\text{Rate (Kg/ha)} = \frac{\text{Product applied (Kg)} \times 10,000}{\text{Distance travelled (metres)} \times \text{spread width (metres)}}$$

Adjust either the choke or the speed of travel until the desired application rate is achieved.

**CALIBRATION GUIDE
(Average Speed 10 Kph)**

NOTE

Because of variations in product characteristics, speedometer calibration and driving speed, the information in the calibration guide should be regarded as a starting point only. It is recommended that the spreader be calibrated before each use.

CAUTION

To avoid damage to the motor, application rates in excess of 50 Kg per hectare are not recommended.

Product	Rate (Kg/ha)	Choke Settings	Nominal Spread (metres)
Rye Grass	40	2	7
Rye Grass	35	3	7
Rye Grass	31	4	7
Rye Grass	20	4.5	7
Rye Grass	12	5	7
Turnip	4.5	7.5	14
Turnip	4	8	14
Turnip	1	8.5	14
Clover	10	7.5	10
Clover	9.5	8	10
Clover	4	8.5	10
Clover	0.5	9	10
Cropmaster	53	4	15
Cropmaster	37	5	15
Cropmaster	25	6	15
Urea	48	3	15
Urea	30	4	15
Urea	19	5	15
Super Phosphate	40	4	15
Super Phosphate	27	5	15
Dusting Grade Causmag spreads at a rate of 4kg per minute at shutter setting 0			

CAUTION

It is not recommended to exceed choke setting #3 with urea or motor damage due to overloading could occur.

OPERATING THE SPREADER

When the spreader has been correctly calibrated and the agitator configuration adjusted for the product to be spread, the hopper may be filled to the required level and spreading commenced.

To prevent agitator damage to the product and inadvertently operating of the shutter, it is recommended that the spinner is turned off until area to be covered is reached.

Flick the switch on the console to 'on' to apply power to the machine and start the spinner.

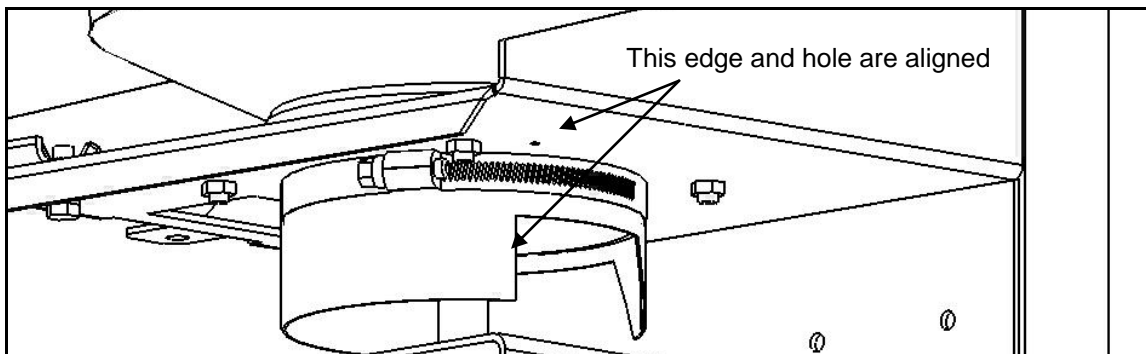
WARNING

Some products may compact around the agitator in the hopper whilst in transit. If this occurs the motor may be overloaded when switching on for the first time. It is therefore recommended that the spinner be checked for free movement if the spreader has been driven for any significant distance with product in the hopper and the motor switched off.

Pull the shutter lever toward the operator to commence spreading product.

Adjusting the Spread Pattern

The spreader has been factory-set for urea. When spreading other products you may want to adjust the centring of the spread pattern. This is achieved by loosening the Jubilee clip beneath the hopper support plate, rotating the delivery chute to a new position and tightening the clip again. To return the chute to the factory setting simply align the right hand edge of the right hand aperture with the calibration hole on the underside of the hopper support plate.



Chute position shown in factory setting

WARNING

Never adjust the delivery chute with the spreader turned on.
Never place hands or loose clothing near a revolving spinner or motor shaft.

CAUTION

To avoid damage to the spinner and motor and to ensure that the spreader performs well, ensure that there is always a 2.5 mm gap between the spinner base and the delivery chute. Too small a gap may cause interference between the spinner and chute and too large a gap may cause product to leave the chute at the wrong position and effect the accuracy of the spread pattern.

MAINTENANCE

CAUTION

The following maintenance actions are mandatory for reliable use of the spreader.

Before Use

Turn the spinner by hand to ensure that it is free to turn without interference.

Check the hopper to ensure that no debris is inside.

Check that the agitator has been correctly configured. For free flowing products the agitator may be removed.

After Each Use or Daily When in Use

Remove all traces of product from the spreader by wiping. Pay particular attention to areas where product has accumulated and built up. If removing product by scraping take care not to damage the surface finish of the spreader or its components.

Do not direct water onto the motor housing (this area should be wiped clean).

After cleaning, apply water-displacing fluid such as WD40 to all metal parts.

Check for damaged or worn components and replace as required.

REPAIRS

Removal of the Motor

Locate the motor shaft grub screw in the recess in the spinner boss.

Apply a little heat with a clean soldering iron to soften the thread-locking compound.

Using 2 mm Allen key loosen the motor shaft grub screw.

Remove the cover from the electric connector and loosen the clamp screws to remove the wires from the connector.

Using a 3/16 UNF spanner remove the motor mounting nuts.

Withdraw the motor from its mounting.

Removal of the Spinner

Remove the motor as described above.

Using a soldering iron apply a little heat to the grub screws to soften the thread locking compound.

Using a 2mm Allen key loosen the two spinner grub screws and remove the motor shaft grub screw entirely.

Remove the spinner from the agitator shaft.

Removal of the Agitator Shaft

Remove the motor, and spinner as described above.

Leave the agitator flail on the agitator shaft.

Withdraw the shaft upwards through the hopper mount plate.

NOTE

If the motor shaft cannot be withdrawn from the agitator shaft, the agitator flail, and washer may be removed first and the motor, and agitator shaft may be removed as a unit through the bottom of the frame once the spinner grub screws have been loosened.

Removal of the Delivery Chute

Mark the position of the delivery chute with respect to the chassis.

Release the clamp securing the chute to the chute ring.

Remove the delivery chute.

Removal of the Hopper

Remove the two bolts securing the hopper to the chassis.

Lift the hopper clear of the chassis.

Removal of the Shutter

Remove the hopper as described above.

Lift the control handle against its spring pressure to disengage the handle from the shutter and the lower pivot bracket.

Retain the friction washer from the lower pin on the handle.

Unthread the handle through the upper bracket.

Using a 10mm spanner undo the four nuts securing the hopper mount plate.

Lift the plate clear.

Withdraw the shutter.

The shutter guide plates may be removed at this point.

Reassembly

The above procedures may be reversed to reassemble the spreader.

Ensure that the friction washer is in place when reassembling the shutter lever assembly to the frame.

When the delivery chute is installed it must be fixed in the same position as the original.

When the spinner has been installed the clearance between the spinner and the delivery chute must be set to a maximum of 2.5mm.

Installing a New Agitator Flail

The flail assembly comes complete with retaining clips. Insert the new flail through the hole in the agitator shaft.

Thread on the retaining clip so that the flail is held securely.

Using a pair of pliers, crush the clip onto the flail.

Ensure that the new flail cannot contact the wall of the hopper. Trim to length if required.

TROUBLE SHOOTING

Spinner does not turn when the switch is turned on

- | | |
|---------------------------------|---|
| Wiring not connected | - Check connections |
| Fuse has blown | - Check fuse |
| Product has jammed agitator | - Empty hopper and clear |
| Delivery chute touching spinner | - Adjust clearance gap |
| Product jamming spinner | - Check shutter is closed and clear product |
| | - Check the chute clearance gap to 2.5mm |

Fuse blows each time the spreader is operated

- | | |
|-----------------------------------|--|
| Spinner jammed | - Check spinner/chute clearance gap, set to 2.5mm |
| Product compacted around agitator | - Remove compacted product or spin the spinner by hand before applying power |
| Application Rate too high | - Increase the choke setting |
| Wiring is damaged | - Check and repair as required |
| Excessive load on motor | - Check agitator configuration |
| | - Check product is not clogged in base of hopper |

WARNING

To avoid serious damage to the motor and wiring, never replace the fuse with one rated higher than 20 Amps.

Spinner is running, the shutter is open, but there is no product being spread

- | | |
|------------------------------------|--|
| No product in hopper | - Turn off and fill hopper |
| Product is bridging across orifice | - Empty hopper and fill with fresh product |
| Choke is shut or adjusted too high | - Correctly calibrate choke |

Shutter lever won't stay in position

- | | |
|----------------------------|---|
| Shutter friction incorrect | - Check that the friction washer is correctly located between the lower lever arm and the lower bracket on the frame. |
|----------------------------|---|

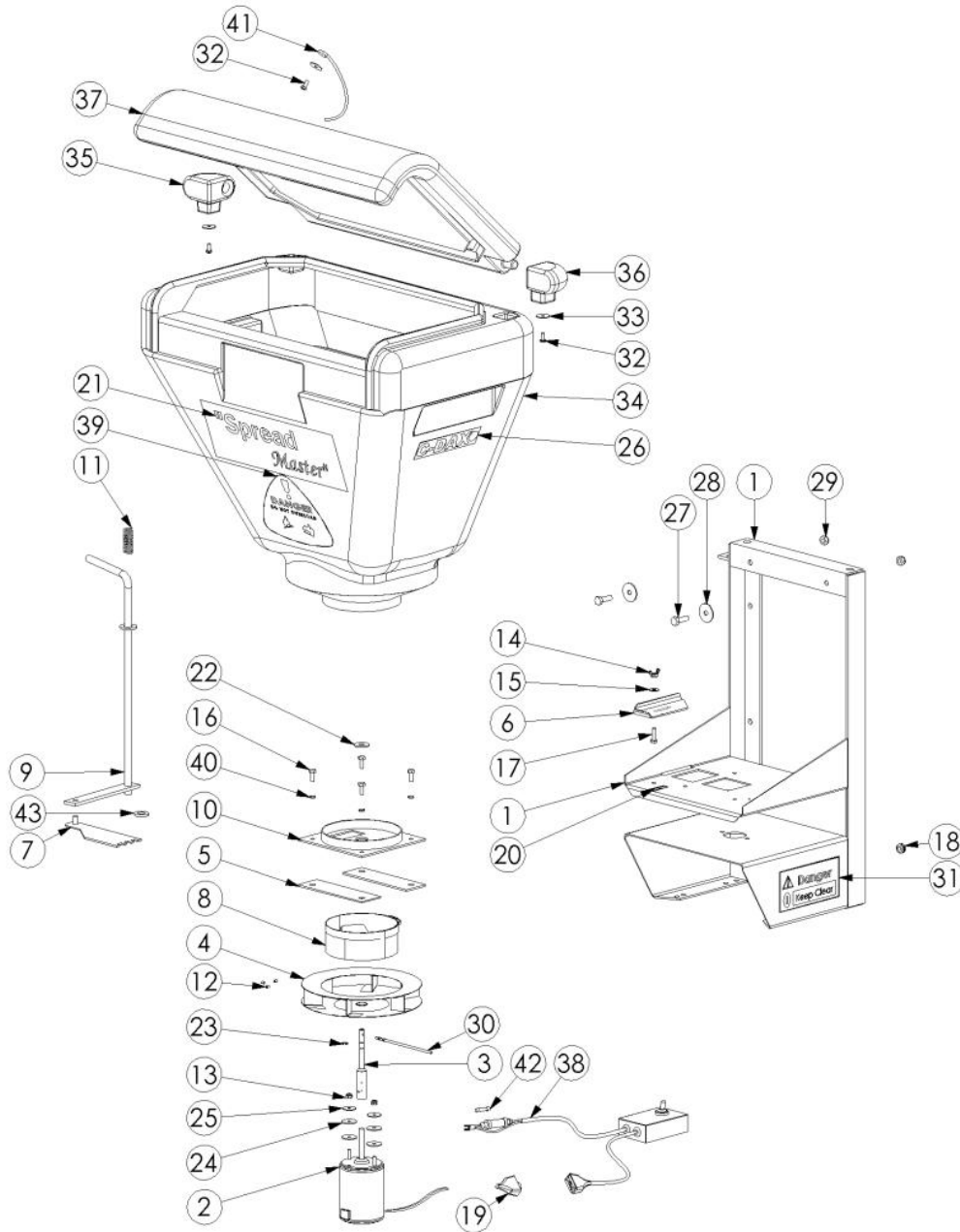
Product spread is uneven

- | | |
|---|---|
| The delivery chute is too far to one side | - Adjust the chute to achieve even spread |
| Product build up in delivery chute | - Clean product off spreader |

Product throws forward

- | | |
|--------------------------------------|---|
| Product escaping from delivery chute | - Check chute/spinner clearance gap, set to 2.5mm |
| Spread pattern centred incorrectly | - Adjust spread pattern centering |

EXPLODED PARTS DIAGRAM



Item No.	QTY.	e9 part no	e9 description
1	1	3500-6000	Frame-Spreader-Spreadmaster G2-GL
2	1	5240-1000	Motor-12VDC 150W-Spread/Slugmaster
3	1	5200-7000	Machined-Shaft-Spinner Drive-SlugSpreadmaster-Stainless
4	1	8200-8300	Spinner-Spreadmaster-SS
5	2	6240-5700	Plate-Packer-Spreadmaster -SM70-UMPHE
6	1	6500-1750	Profiled-Choke-Spreadmaster G2-Stainless
7	1	7980-7905	Shutter-Spreadmaster-Incl Pin-Stainless
8	1	1975-7710	Chute-Delivery-Spreadmaster-Stainless
9	1	4050-8000	Handle-Spreadmaster-SM70-ZP
10	1	6240-5500	Plate-Orifice-Spreadmaster-Incl Spigot-Stainless
11	1	8250-1900	Spring-Compression-Lock-Superline-Spreadmaster-ZP
12	3	3010-0406	Fastener-Grub Screw-Socket Head-M4x6-Stainless
13	2	3150-5100	Fastener-Nut-Nyloc-3/16-UNF-ZP
14	1	3200-0206	Fastener-Nut-Wing-M6-ZP
15	1	3310-6006	Fastener-Washer-Flat-M6-ZP
16	4	3290-0616	Fastener-Set Screw-Hex-8.8 Grade-M6x16-ZP
17	1	3290-0620	Fastener-Set Screw-Hex-8.8 Grade-M6x20-ZP
18	1	3880-0006	Grommet-Insulating-6x11.0mm-Rubber
19	1	6250-3001	Plug-Electrical-2 Pin-Male-20 Amp-With Cover
20	1	4600-1320	Label-Calibration-Spreadmaster
21	1	4600-6640	Label-Name-Spreadmaster-Meyer
22	1	9100-3020	Washer-Flat-Himould-9IDx25ODx2mm-Black-Plastic
23	1	1980-0008	Circlip-External-8mm-DIN471-Stainless
24	4	3700-9210	Gasket-Washer-5x25x1.6-Black-Neoprene
25	2	3310-9210	Fastener-Washer-Flat-3/16"x7/8"x1.5-Grade 304-Stainless
26	2	4600-6030	Label-Name-C-Dax-Small-55x100-Vinyl
27	2	3290-0825	Fastener-Set Screw-Hex-8.8 Grade-M8x25-ZP
28	2	3310-3008	Fastener-Washer-Flat-Fender-M8x32x1.5-ZP
29	2	3170-0008	Fastener-Nut-Nyloc-M8-ZP
30	1	3410-1100	Flail-Agitator-Spreadmaster G2-Including Clips
31	2	4600-2000	Label-Danger-Keep Clear
32	3	3090-0512	Fastener-Machine-Screw-Pan-M5x12-Phillips-Stainless
33	3	3310-9210	Fastener-Washer-Flat-3/16"x7/8"x1.5-Grade 304-Stainless
34	1	7500-2220	Rota-Hopper-Spreader-Spreadmaster SM70-Yellow-MDPE
35	1	7500-2000	Rota-Hinge-LH-SM70/75,Magmaster-Blue-MDPE
36	1	7500-2010	Rota-Hinge-RH-SM70/75,Magmaster-Blue-MDPE
37	1	7500-2520	Rota-Lid-Hopper-SM70/75L,MagM-Blue-MDPE
38	1	1500-6600	Cable-Electrical-Loom-Spreadmaster-Control Box-1.50M
39	1	4600-5180	Label-MIG-Danger/Overload
40	4	3330-8006	Fastener-Washer-Spring-M6-ZP
41	1	2230-1100	Cord-Arrestor-Hinged Spreader Lid
42	1	3600-4000	Fuse-Link-Standard Blow-20 Amp-1/4"x1 1/4"-Glass
43	1	3700-9120	Gasket-Washer-12.5x24x3.2-Blue-Sanoprene

NOTES