



OWNER'S MANUAL
FOR THE



**3PL SPREADER
CDIT650**

C-Dax Ltd
PO Box 1010, 145 Harts Road
Tiritea, Palmerston North
Ph:06 354 6060
Fax:06 355 3199
E-Mail: sales@c-dax.co.nz
www.c-dax.co.nz

SAFETY PRECAUTIONS

CDIT650

AN IMPORTANT MESSAGE FOR OWNERS & OPERATORS OF C-Dax ATTACHMENTS/ACCESSORIES

Be warned of the dangers of loading your ATV or other vehicle in excess of its carrying capacity. It is important to understand that any loads or attachments whether fastened to or placed on a vehicle or ATV will alter the stability or handling characteristics of that vehicle or ATV. Spray tanks or other equipment must be filled only to a level where the gross weight is within the load limit of the ATV or other vehicle.

Safety is a primary concern in the design, manufacture, sale, and use of spray tanks and other equipment. As manufacturers of spray tanks and other equipment we want to confirm to you, our customers, our concern for safety. We take this opportunity to remind you about the simple, basic and common sense rules of safety when using spray tanks and other equipment. Failure to follow these rules can result in severe injury or death to operators and bystanders.

It is essential that everyone involved in the assembly, operation, transport, maintenance and storage of this equipment be aware, concerned, prudent and properly trained in safety.

This also applies to equipment that is loaned or rented to someone who has not read the owner's manual and is not familiar with the operation of application equipment.

- NEVER EXCEED THE LOAD LIMIT CAPACITY OF THE ATV OR OTHER VEHICLE.
- ALL ATV AND TRAILED EQUIPMENT TYRES SHOULD BE INFLATED TO MANUFACTURERS RECOMMENDED OPERATING PRESSURES.
- PLEASE NOTE THAT FILLING THE SPRAY TANK OR OTHER EQUIPMENT COMPLETELY AND OR THE ATTACHMENT OF ADDITIONAL EQUIPMENT TO THE ATV MAY EXCEED THE ATV'S MAXIMUM LOAD CAPACITY AND IT IS NOT RECOMMENDED TO EXCEED MANUFACTURERS GUIDELINES
- CARGO SHOULD BE PROPERLY DISTRIBUTED AND SECURELY ATTACHED.
- REDUCE SPEED WHEN CARRYING CARGO OR PULLING A TRAILER OR TRAILED APPLICATION EQUIPMENT AND ALLOW GREATER DISTANCE FOR BRAKING.
- NEVER ALLOW ANYONE TO RIDE ON YOUR SPRAYER OR OTHER EQUIPMENT.
- ALWAYS FOLLOW THE INSTRUCTIONS IN THE OWNER'S VEHICLE MANUAL FOR CARRYING CARGO OR PULLING A TRAILER.
- PROPER MAINTENANCE IN LINE WITH MANUFACTURER'S RECOMMENDED MAINTENANCE PROCEDURES IS ESSENTIAL.
- BEFORE APPLYING CHEMICALS, READ THE LABEL OF THE CHEMICAL MANUFACTURER OR SUPPLIER FOR PERSONAL PROTECTIVE EQUIPMENT AND OPERATE AS RECOMMENDED.
- THE SAFETY OF ALL CHEMICALS USED IN AGRICULTURE IS UNDER THE JURISDICTION OF A GOVERNMENT AGENCY, IE N.Z. MINISTRY FOR THE ENVIRONMENT; USA ENVIRONMENTAL PROTECTION AGENCY. FURTHER LOCAL GOVERNMENT OR STATE LAWS MAY APPLY.

SAFETY PRECAUTIONS

Before attempting to install or operate the equipment, read and understand the manual thoroughly. Failure to comply with this instruction constitutes improper use and will invalidate the warranty.

Throughout this manual there are highlighted text boxes containing warnings, cautions and notes.

Warnings are mandatory instructions to prevent serious injury or permanent damage.

Cautions are advisory instructions to ensure reliable operation of the equipment.

Notes are for convenient operation.

- Do not overload your spreader. The maximum permissible payload is 500Kg.
- Never use dirty product or product with stones or lumps.
- Ensure that your carrying vehicle is adequate for the task.
- If using the spreader over hilly terrain the payload should be reduced to ensure that the spreader stability is not compromised.
- Never allow anyone to ride in or on the spreader.
- Keep the spreader in good condition. Cleanliness and maintenance are essential for safe and trouble free operation.
- Never leave product in the hopper or store the spreader without cleaning it.
- **This spreader is not suitable for spreading magnesium oxide or other fine powders.**

CAUTION

Always exercise caution when working around PTO shafts. Never work in the vicinity of a PTO shaft that has its drive engaged.

CAUTION

Read PTO Shaft instructions (attached to shaft) before fitting/operating unit, failure to do so could cause damage to the gearbox..

C-Dax CDIT650

OWNER'S MANUAL

(Pt.No.2400-5616 Issue 4, June 2017)

SAFETY PRECAUTIONS.....	3
INTRODUCTION	5
DESCRIPTION	5
WARRANTY	5
1 WARRANTY AND LIABILITY	5
OPERATION	7
OPERATING THE SPREADER	8
MAINTENANCE	9
HINTS	9
PARTS DIAGRAM.....	10
PARTS LIST	11

INTRODUCTION

Congratulations. You have just purchased an advanced spreader from C-Dax Ltd. C-Dax Ltd is committed to providing you, the farmer, with quality applying systems.

DESCRIPTION

The C-Dax **CDIT650** is a 3PL spreader designed for application of pelleted fertilisers and other products such as grass seed. The uniquely designed 650-litre non-corrosive polyethylene hopper is specially profiled for good product flow and ease of filling. The convenient canvas cover is easy to remove, install and store if not required. High-quality stainless steel agitator and shutter ensures even flow of product to the spinner. A unique spinner design ensures wide, even spread of products over 180 degrees (Urea). The heavy duty frame is fully galvanised. The drive train uses high quality steel and a heavy-duty gearbox for maximum durability.

Specifications

(Specifications subject to change without notice)

Dry Weight	152 Kg (3PL unit)
Dimensions	W1400mm, H1400mm, L1400mm
Capacity	650litre (500Kg Urea)
Drive	PTO
Agitator	Mechanical arm, stainless steel
Spinner	Stainless steel with five-position adjustable vanes
Hopper	Non-corrosive polyethylene, ergonomically designed for ease of filling and inspection
Hopper cover	Polyethylene plastic
Frame	Galvanised steel
Gearbox	Heavy duty with double sealed bearings
Gearbox oil	400ml SAE30
Application Rate	80Kg per hectare @ 10 kph (nominal, Urea)
Spread width	18M (nominal, Urea @ 540 RPM)
Travel Speed	15 Kph (Maximum recommended)

WARRANTY

1 WARRANTY AND LIABILITY

Use of the equipment

- 1.1 You must satisfy yourself as to the suitability of the equipment for your intended use(s) of the equipment.

Your relationship with the retailer

- 1.2 Where you consider you have a warranty claim (or any other claim) in relation to the equipment, you must contact the retailer who sold you the equipment, not C-Dax directly. The retailer is responsible for liaising with C-Dax in respect of your claim.

Warranty

- 1.3 C-Dax warrants to the original purchaser that the equipment is sold free from defects in materials and workmanship for a period of 12 months from date of first retail sale (6 months from date of first retail sale if the equipment is sold in the U.K.) subject to the terms set out below.
- 1.4 C-Dax will at its option repair or replace the defective equipment (or part of the equipment) or notify the retailer of the equipment to refund the purchase price for such defective equipment to you in the event of a breach of this warranty, subject to the terms set out below.

Liability

- 1.5 Except for the warranty set out in clause 1.2 above, all warranties and representations (including those expressed or implied by law) in respect of the equipment or advice relating to the equipment provided to you by C-Dax are excluded to the extent permitted by law.
- 1.6 Notwithstanding anything else in this manual, C-Dax's maximum liability to you (in the event that such liability exists) in respect of any breach of warranty, any matter set out in this manual, or for defective equipment or advice relating to the equipment provided is limited at C-Dax's option to:
- (a) repairing or replacing the equipment (or part of the equipment); or
 - (b) notifying the retailer of the equipment to refund the price for the equipment paid by you.
- 1.7 Notwithstanding anything else in this manual, in no event will C-Dax be liable, whether in contract, tort (including negligence) or otherwise:
- (a) where you have altered or modified the equipment, misused or misapplied the equipment, or the equipment has been subjected to any unusual, excessive or non-recommended use, service or handling (including as set out in this manual);
 - (b) where the equipment is not transported, stored, handled or used in accordance with any directions given by C-Dax (or the retailer) to you (including as set out in this manual);
 - (c) where the equipment:
 - (i) has been subject to neglect, accident or hireage, or the damage arises from fair wear and tear, battery damage or chemical attack;
 - (ii) has been built to a customer's specifications; or
 - (iii) has been dismantled, repaired or serviced other than by an authorised service agent of C-Dax;
 - (d) for loss or damage caused by any factors beyond C-Dax's control; or
 - (e) for any loss of profit or revenue, or for any special, indirect, incidental or consequential damage, loss or injury of any kind suffered by you.
- 1.8 Where C-Dax elects to repair or replace the equipment it will use reasonable endeavours to do so as soon as practicable but will not be liable for any delay in doing so.
- 1.9 You agree that the transactions entered into between you and the retailer (and C-Dax) are for the purposes of trade and that, having regard to all relevant circumstances of the transactions, it is fair and reasonable that the provisions of the Consumer Guarantees Act 1993 (NZ) do not apply to those transactions to the fullest extent permitted by law.

OPERATION

The product to be spread is placed in the hopper. The mechanical action of the spinner and agitator is driven from the PTO output on the tractor (at 540RPM). The shutter position is controlled by a 12v linear actuator. The rate is set by selecting the desired gate setting via a remote control box (settings go from 1-8). For rate setting to suit your material and speed, please consult the C-DAX REMOTE SPREADER CONTROL manual supplied with your spreader.

An extension of the spinner boss is connected to a stainless steel agitator arm inside the bottom of the hopper. The agitator ensures that product flows continuously out of the hopper to the spinning disk.

A delivery chute on the bottom of the hopper ensures that product is delivered to the correct spot of the disk so that the deflectors (vanes) distribute the product over a wide angle behind and to each side of the spreader.

The optimum working height for the spreader is with the tips of the spinner vanes 800mm above the ground.

The canvas cover can be fitted to prevent rain and debris from entering the hopper.

OPERATING THE SPREADER

When the spreader has been correctly set up on the tractor's three point linkage, the hopper may be filled to the required level and spreading commenced.

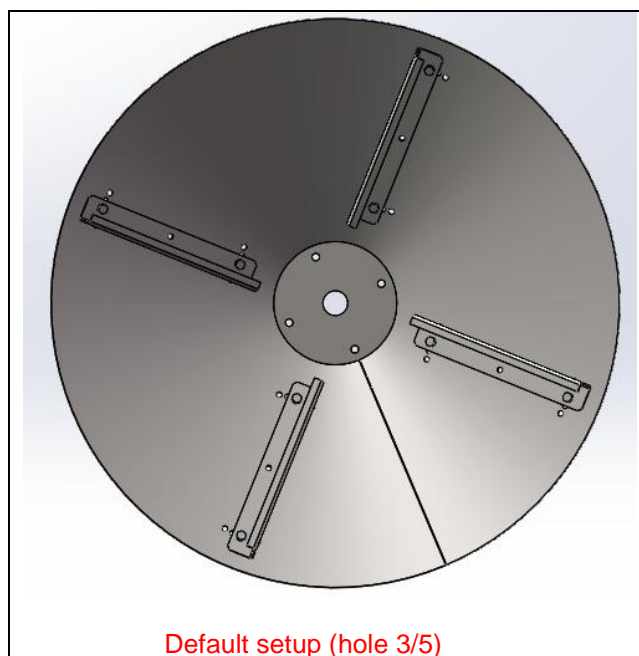
To reduce agitator damage to product and to ensure that product is not forced past the agitator shaft when towing the spreader to the area to be treated, the PTO drive to the gearbox should be disabled during transportation or during periods when the shutter remains closed for some time.

WARNING

To prevent damage to the spreader do not tow the spreader at speeds in excess of 15 Kph.

Adjusting the Spread Pattern

The spreader has been set up for spreading pelletised fertiliser. When spreading lighter products or products with a high powder content it may be necessary to adjust the deflectors on the spinner to centralise the spread pattern. To shift the pattern to the centre the inside end of the vanes should be moved anti-clockwise. These positions are highlighted in the following diagram.



WARNING

To prevent damage to the spinner and shroud, do not operate the spreader unless all screws and fasteners are tight.

Periodically check the clearance between the spinner and the plastic shroud.

Fitting the Cover

To fit the rain cover to the hopper, slide the lid over the hopper, locating it centrally on the hopper. Secure the lid by pulling the cover down over the lip of the hopper.

MAINTENANCE

The following maintenance actions are mandatory for reliable use of the spreader.

Before Use

Check the hopper to ensure that no debris is inside.

If the spreader has not been used for some time, grease the moving parts of the frame.

Check the clearance between the plastic shroud and the stainless steel spinner.

Check that the drive system is operating freely and smoothly.

Check the gearbox for leaks. If leaks are detected it will be necessary to drain and replenish the gearbox with 400ml of SAE 30 oil.

CAUTION

To replenish the gearbox oil, the Spreader must be turned upside down (as the oil filler cap is located on the underside of the gearbox). To prevent injury it is recommended that this be carried out by more than one person.

CAUTION

Always exercise caution when working around PTO shafts. Never work in the vicinity of a PTO shaft that has its drive engaged.

After Each Use or Daily When In Use

Remove all traces of product from the spreader by brushing or washing. Pay particular attention to areas where product has accumulated and built up. Remove by scraping if necessary taking care not to damage the surface finish of the spreader or its components.

If washing, do not direct high-pressure water onto the gearbox, actuator or control box on the spreader.

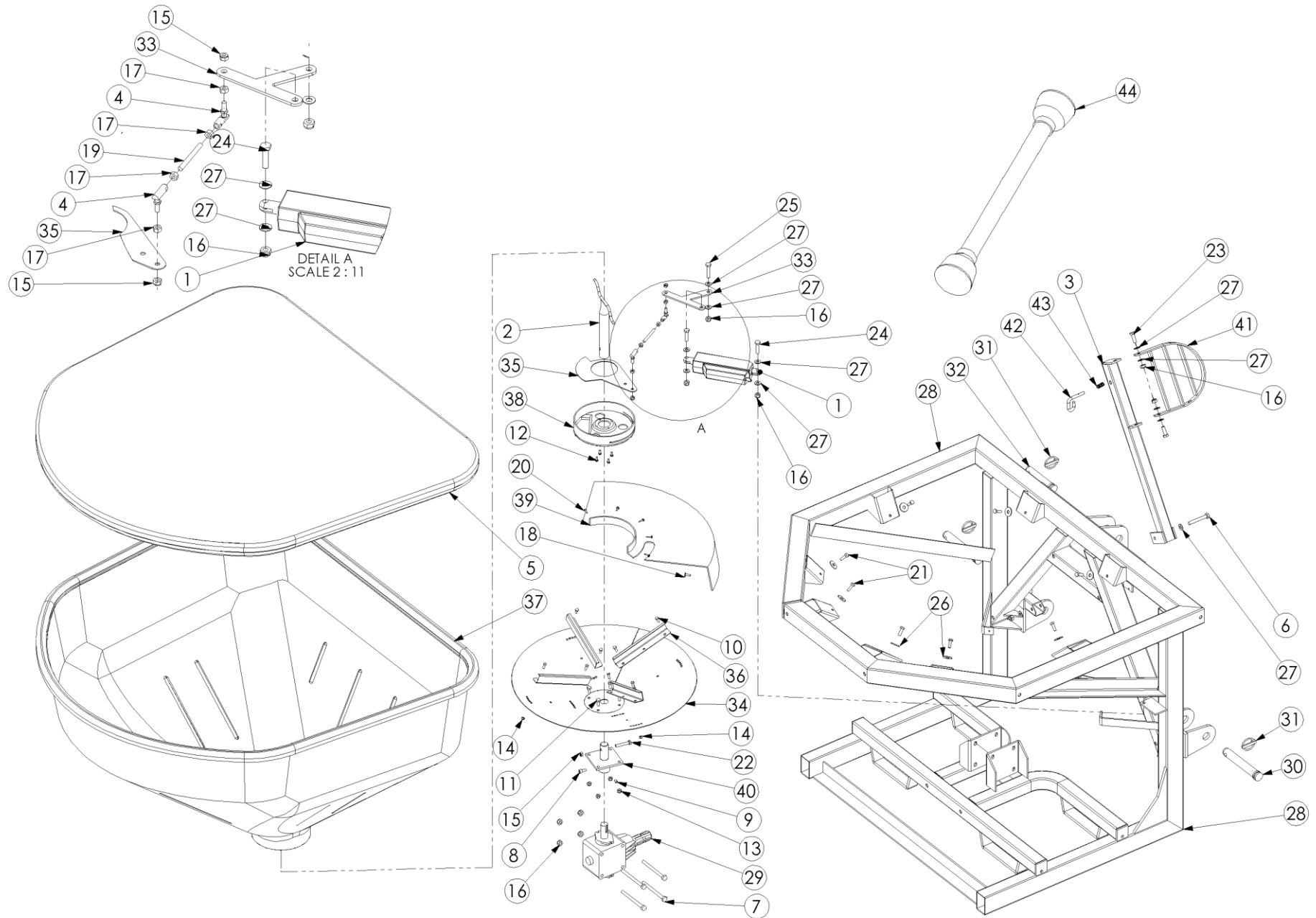
Check for damaged or worn components and replace as required.

HINTS

To remove the agitator from the hopper, remove the bolt, which attaches the agitator shaft to the spinner flange assembly then withdraw the agitator from inside the hopper. Be sure that the drive shaft has been removed beforehand

When ordering replacement parts always quote the Part Number of the required part.

PARTS DIAGRAM



Parts List

Item No.	QTY.	part no	description
1	1	1010-2391	Actuator-Electrical-Smart Control-With Plug fitted
2	1	1036-8240	Agitator-Spreader-CDIT300/400-In-Ex300/400-SS
3	1	1072-7500	Arm-Step-Goldline-800/1000L-GL
4	2	1110-2308	Ball-End-Internal Thread-M8-Zinc Plated
5	1	2250-4106	Cover-Hopper-Blue Fabric-Spreader CDIT650
6	1	2840-1075	Fastener-Bolt&Nut-Hex-8.8 Grade-M10x75-ZP
7	4	2840-1120	Fastener-Bolt&Nut-Hex-8.8 Grade-M10x120-ZP
8	1	2880-0816	Fastener-Cap Head-Allen Screw-M8x16-316-Stainless
9	1	3010-0810	Fastener-Grub Screw-Socket Head-M8x10-Stainless
10	8	3075-0616	Fastener-Set-Screw-Hex-304 Grade-M6x16-Stainless
11	4	3075-0820	Fastener-Set-Screw-Hex-304 Grade-M8x20-Stainless
12	4	3110-0512	Fastener-Machine-Screw-Pan-M5x12-Pozi-ZP
13	4	3130-0108	Fastener-Nut-Nyloc-M8-Stainless Steel
14	8	3170-0006	Fastener-Nut-Nyloc-M6-ZP
15	11	3170-0008	Fastener-Nut-Nyloc-M8-ZP
16	10	3170-0010	Fastener-Nut-Nyloc-M10-ZP
17	4	3180-0008	Fastener-Nut-Plain-M8-ZP
18	2	3240-0018	Fastener-Rivet-Blind-Truss Head-3/16x18mm-Aluminium
19	1	3250-0008	Fastener-Rod-Threaded-4.6 Grade-M8-ZP
20	5	3280-1034	Fastener-Self Tap-Screw-Pan-10Gx3/4"-Pozi-ZP
21	8	3290-0825	Fastener-Set Screw-Hex-M8x25-316-SS
22	1	3290-0850	Fastener-Set Screw-Hex-8.8 Grade-M8x50-ZP
23	2	3290-1030	Fastener-Set Screw-Hex-8.8 Grade-M10x30-ZP
24	2	3290-1040	Fastener-Set Screw-Hex-8.8 Grade-M10x40-ZP
25	1	3290-1050	Fastener-Set Screw-Hex-8.8 Grade-M10x50-ZP
26	8	3310-2810	Fastener-Washer-Flat-M10x32x2.5-Grade 316-Stainless
27	13	3310-6010	Fastener-Washer-Flat-M10-ZP
28	1	3500-0290	Frame-3PL-CDIT650-GL
29	1	3800-1210	Gearbox-Ferroni-RV010-L-Ratio 1:1-1-3/8 PTO input-25mm Output
30	2	6100-1100	Pin-Bottom Link-3 Point Linkage-ZPG
31	3	6100-4700	Pin-Linch-3 Point Linkage-ZPG
32	1	6100-8400	Pin-Top Link-3 Point Linkage-ZPG
33	1	6500-1055	Profiled-Actuator Pivot Plate-CDIT650-Stainless Steel
34	1	6500-2165	Profiled-Disc-Spinner-Base-FORMED-CDIT 1300-Spreader-Stainless
35	1	6500-7770	Profiled-Shutter-CDIT300/400,165L-Spreader-Stainless
36	4	6500-8955	Profiled-Vane-Spinner-Spreader-CDIT 1300-Stainless
37	1	7500-2166	Rota-Hopper-Spreader-CDIT650-Yellow-MDPE
38	1	7500-2830	Rota-Spout-Spreader-CDIT400GT-Yellow-MDPE
39	1	7970-8120	Shroud-Spreader CDIT650-MDPE-Yellow
40	1	8200-5200	Spinner-Mount-CDIT300/400/INEX300-ZP
41	1	8400-3800	Step-Goldline-800/1000L-GL
42	1	8800-1720	Tow-Coupling-Pin-P-Catch-10mm-ZPG
43	1	8800-1730	Tow-Coupling-Spring-Compression-ZP
44	1	2600-1000	Drive Shaft-16HP-1000mm Long-Sheilded