



Sprayer 50 Pt.No 1025 / 1080

(Leaflet 2400-1400 Issue 6, May 2018)

DESCRIPTION

The In-Ex SPRAYER 50 is an entry-level spot sprayer which can be used in a variety of applications. It is especially suitable for use with small vehicles or anywhere where there is a flat surface to attach it to and a source of 12VDC power. The Sprayer 50 is supplied ready to use and includes a sturdy tie down strap and 1.5 metre power cable.

1025 (pump size 3.8Lpm)

1080 (pump size 7.6Lpm)

WARRANTY

1 WARRANTY AND LIABILITY

Use of the equipment

- 1.1 You must satisfy yourself as to the suitability of the equipment for your intended use(s) of the equipment.

Your relationship with the retailer

- 1.2 Where you consider you have a warranty claim (or any other claim) in relation to the equipment, you must contact the retailer who sold you the equipment, not C-Dax directly. The retailer is responsible for liaising with C-Dax in respect of your claim.

Warranty

- 1.3 C-Dax warrants to the original purchaser that the equipment is sold free from defects in materials and workmanship for a period of 12 months from date of first retail sale (6 months from date of first retail sale if the equipment is sold in the U.K.) subject to the terms set out below.
- 1.4 C-Dax will at its option repair or replace the defective equipment (or part of the equipment) or notify the retailer of the equipment to refund the purchase price for such defective equipment to you in the event of a breach of this warranty, subject to the terms set out below.

Liability

- 1.5 Except for the warranty set out in clause 1.2 above, all warranties and representations (including those expressed or implied by law) in respect of the equipment or advice relating to the equipment provided to you by C-Dax are excluded to the extent permitted by law.
- 1.6 Notwithstanding anything else in this manual, C-Dax's maximum liability to you (in the event that such liability exists) in respect of any breach of warranty, any matter set out in this manual, or for defective equipment or advice relating to the equipment provided is limited at C-Dax's option to:

- (a) repairing or replacing the equipment (or part of the equipment); or
 - (b) notifying the retailer of the equipment to refund the price for the equipment paid by you.
- 1.7 Notwithstanding anything else in this manual, in no event will C-Dax be liable, whether in contract, tort (including negligence) or otherwise:
- (a) where you have altered or modified the equipment, misused or misapplied the equipment, or the equipment has been subjected to any unusual, excessive or non-recommended use, service or handling (including as set out in this manual);
 - (b) where the equipment is not transported, stored, handled or used in accordance with any directions given by C-Dax (or the retailer) to you (including as set out in this manual);
 - (c) where the equipment:
 - (i) has been subject to neglect, accident or hireage, or the damage arises from fair wear and tear, battery damage or chemical attack;
 - (ii) has been built to a customer's specifications; or
 - (iii) has been dismantled, repaired or serviced other than by an authorised service agent of C-Dax;
 - (d) for loss or damage caused by any factors beyond C-Dax's control; or
 - (e) for any loss of profit or revenue, or for any special, indirect, incidental or consequential damage, loss or injury of any kind suffered by you.
- 1.8 Where C-Dax elects to repair or replace the equipment it will use reasonable endeavours to do so as soon as practicable but will not be liable for any delay in doing so.
- 1.9 You agree that the transactions entered into between you and the retailer (and C-Dax) are for the purposes of trade and that, having regard to all relevant circumstances of the transactions, it is fair and reasonable that the provisions of the Consumer Guarantees Act 1993 (NZ) do not apply to those transactions to the fullest extent permitted by law.

CONTENTS

Part No.	Description	Quantity
N/A	Tank assembly complete with; lid, pump, suction filter, spray gun and hose.	1
8410-8450	Strap-Ratchet	1
1500-3700	Cable ASY-Battery-2.2M	1

INSTALLATION

Place the Sprayer 50 on the vehicle with the switch facing the operator. Secure the tank in place using the ratchet strap. On ATV carriers the long strap should be hooked onto the carrier frame and looped over the tank at the lid end. The short strap with the ratchet is similarly placed at the opposite end. The long strap is then run under the carrier frame and connected with the ratchet so that the ratchet is on top of the tank. Pull the strap tight and apply tension using the ratchet. Connect the cable assembly to the male connector on the pump then attach to the vehicle battery ensuring that the red wire is connected to the positive terminal.

OPERATING INSTRUCTIONS

Place fluid in the tank then turn the switch on. The pump will run. Place the end of the spray gun in the tank and press the trigger until all of the air has been expelled from the hose. The pump will stop running when the trigger is released.

Operate the spray gun and adjust the tip until the pump runs smoothly and the desired spray pattern is obtained.

MAINTENANCE

Cleaning Tank and Spray Gun

When spraying is finished rinse the tank with clean water and pump the contents out through the spray gun. A triple rinse is recommended. The tank may also be drained by removing the drain plug at the lid end.

Filter Maintenance

After each use or when the tank has been emptied (whichever comes first) it is recommended that the suction filter located under the white nut at the tank outlet be removed and cleaned.



Pressure Switch Adjustments

Adjustment should not be necessary under normal operating conditions. Increasing the pressure setting will not increase pump flow but may reduce pump life. To adjust the switch, remove the cover from the end of the pump beneath the power switch and rotate the adjustment screw. Replace the cover after adjustment.

TROUBLE SHOOTING

Pump will not prime

- Check that the suction filter nut is tight.
- Operate the spray gun to release air from the pump.
- Check that the suction filter is not blocked.

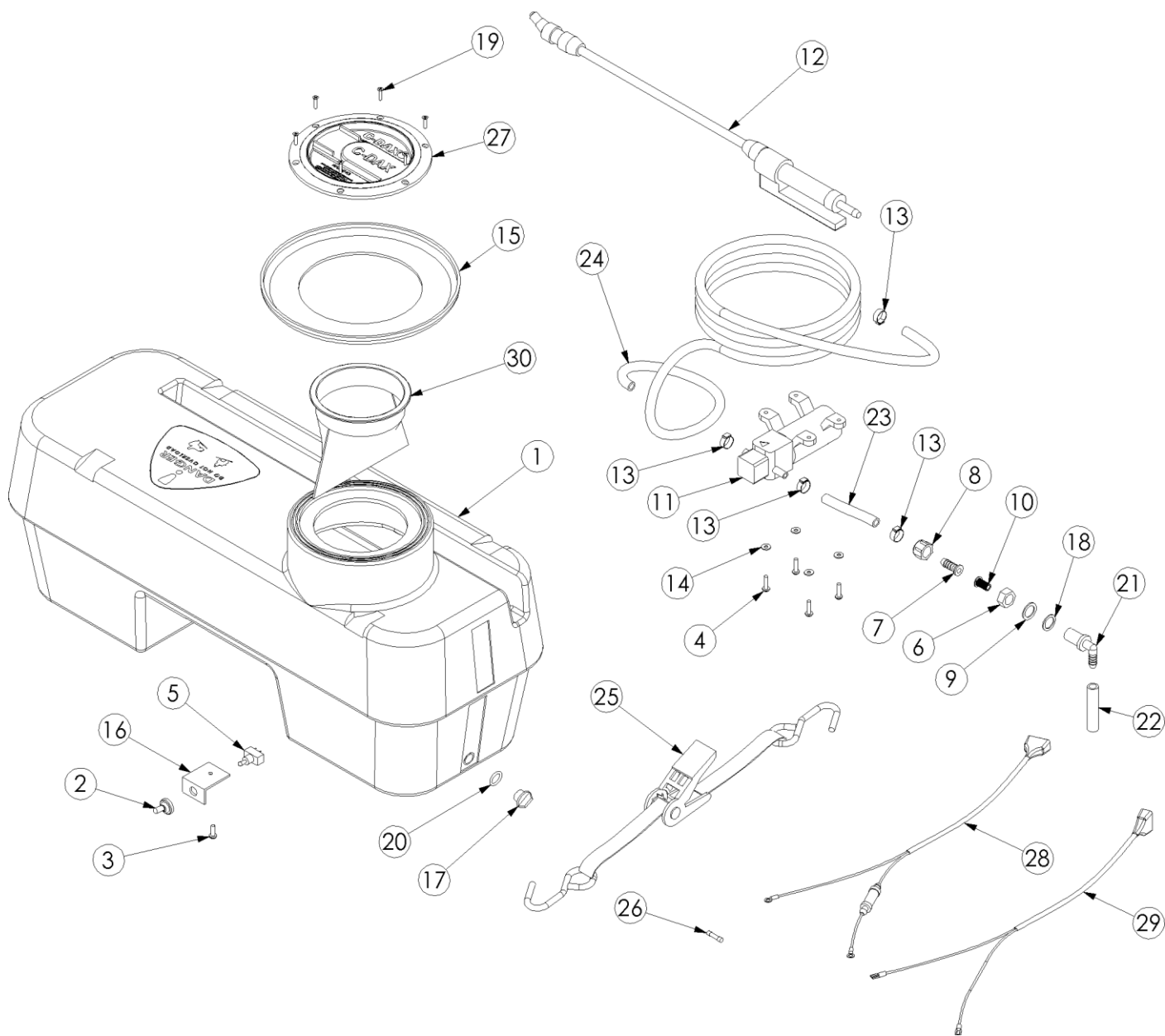
Pump pulses

- Adjust the spray tip to increase pump flow.
- Adjust pump switch off pressure.

Pump will not run

- Check electrical connections and fuse.

EXPLODED PARTS DIAGRAM

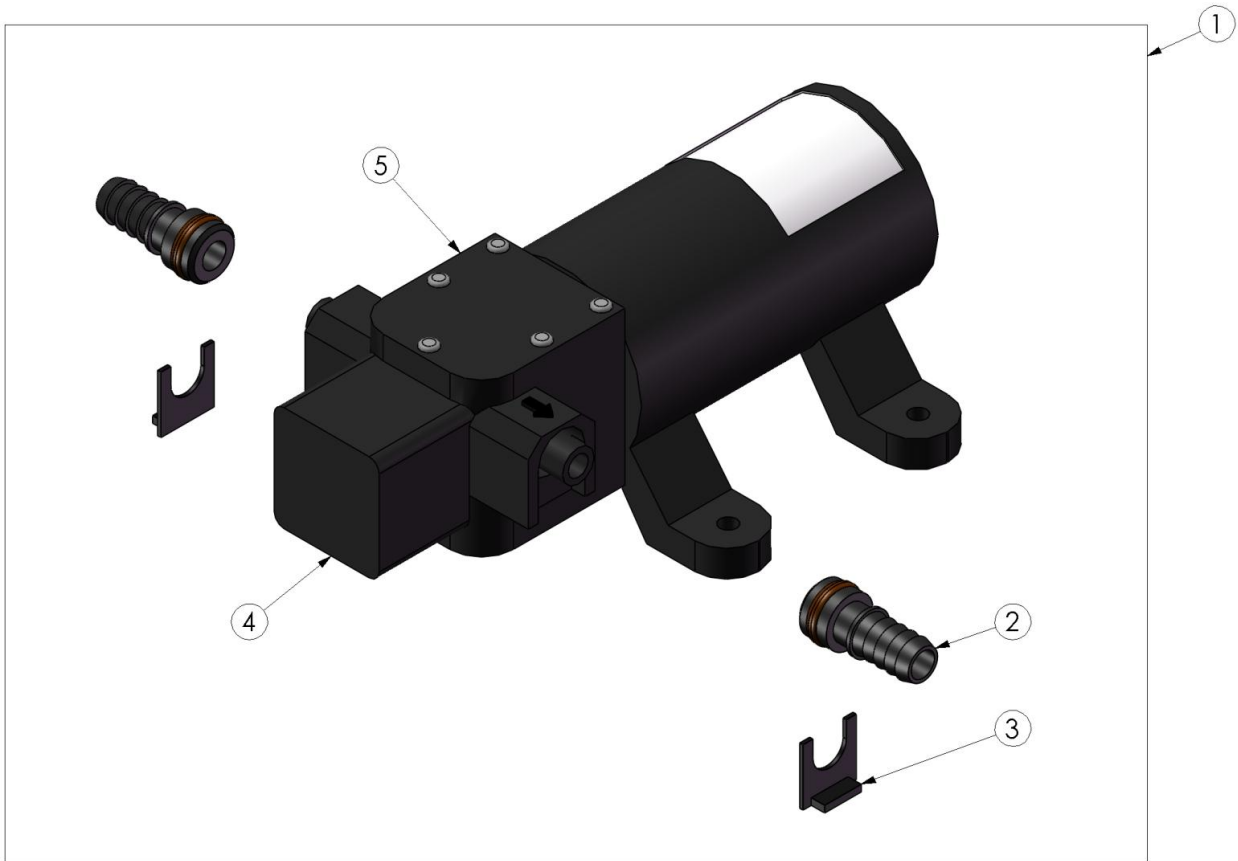


PARTS LIST

Item No.	QTY	Part No.	Description
1	1	7500-3550	Rota-Tank-50L-In-Ex-Natural-MDPE
2	1	2250-8200	Cover-Switch-Water Proof Boot-Toggle Lever-Rubber-Black
3	1	3110-0516	Fastener-Machine-Screw-Pan-M5x16-Pozi-ZP
4	4	3110-0520	Fastener-Machine-Screw-Pan-M5x20-Pozi-ZP
5	1	8450-2410	Switch-Electrical-Toggle-SPST-250V-16Amp
6	1	6200-5420	Pipe-Fitting-Nut-Back-11/16UNFM-Plastic
7	1	6200-8220	Pipe-Fitting-Straight-10 Shank-Swivel-Suit Fly Nut-Plastic
8	1	6200-5550	Pipe-Fitting-Nut-Swivel-11/16UNFF-Plastic
9	1	3700-9150	Gasket-Washer-25x17.4x1.4-Nylon
10	1	3400-5400	Filter-Nozzle Tip-50 Mesh-Plastic
11A	1	6800-4000	Pump-Flojet-LF12-12 Volt-3.8LPM-10mm Hose Shanks
11B	1	6800-5000	Pump-Flojet-Triplex-12 Volt-7.6LPM-Quad Ports
12	1	4000-6020	Hand Gun-Teejet-Trigger Jet X18-Shank 10mm
13	4	2000-2014	Clamp-Hose-Oetiker-Single Ear Stepless-14.5<>7.0mm-S/S
14	4	3310-6005	Fastener-Washer-Flat-M5-ZP
15	1	7500-1760	Rota-Flange-50L-Red-MDPE
16	1	1300-7200	Bracket-Sprayer Switch-50/100/200L-AL
17	1	6200-6260	Pipe-Fitting-Plug-Thumb Screw-3/8BSPM-Black-Plastic
18	1	3700-9130	Gasket-Washer-17x23x2-Rubber
19	6	3070-0300	Fastener-Machine-Screw-CSK-8Gx3/4-Pozi-Stainless
20	1	5450-2220	O'Ring-Imperial-1/8"x5/8"-N70
21	1	6200-9400	Pipe-Fitting-Thru Tank-Elbow-10 Shankx11/16UNFM-Nylon
22	1	8840-8410	Tube-Transluscent-10MM-100PSI (70LG)
23	1	4100-0008	Hose-Spray-Delivery-40 Bar-8.5mm ID-Yellow (110LG)
24	1	4100-0008	Hose-Spray-Delivery-40 Bar-8.5mm ID-Yellow (5m)
25	1	8410-8450	Strap-Tie Down-Ratchet-Blue
26	1	3600-1010	Fuse Link-Electrical-Standard Blow-15 Amp-1"x1/4"-Glass
27	1	8427-6000	Sub-Lid & Ring Assembly-D150-In-Ex Vented-Nylon-Black
28	1	1500-3700	Cable-Electrical-Loom-Battery Feed-2.2M
29	1	1500-6500	Cable-Electrical-Loom-Sprayer 50/100/Sprayon 200/SM50-Flojet
30	1	3400-1110	Filter-Basket-D150-Mesh

FLOJET SPRAY PUMP RELACEMENT PARTS

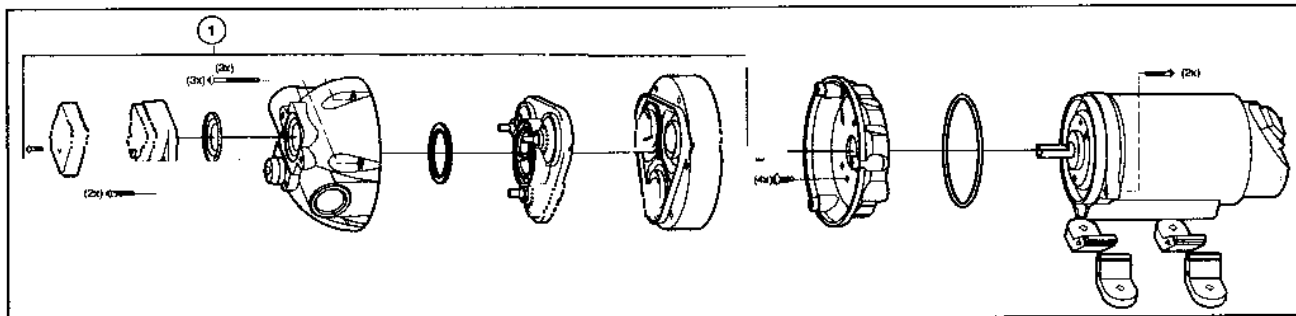
The following replacement parts available for the 12V Flojet 3.8 L/Min pump are available from any C-Dax dealer:



Item No.	QTY.	e9 part no	e9 description
1	1	6800-4000	Pump-Flojet-LF12-12 Volt-3.8LPM-10mm Hose Shanks
2	2	6200-3015	Pipe-Fitting-Flojet-Straight-LF12-10mm ShankxQuad Port Pump-Plastic
3	2	6800-2945	Pump-Flojet LF12-Clip-Hose Fitting-Quad Port-Sliding
4	1	6800-4040	Pump-Flojet-LF12-Switch-Pressure-35PSI
5	1	6800-4030	Pump-Flojet-LF12-PumpHead Complete inc P/Switch-Barbed Ports

FLOJET SPRAY PUMP RELACEMENT PARTS

The following replacement parts for the 12V Flojet 7.6 L/Min pump are available from any C-Dax dealer:



NOTE

Please select the correct hose connection type for your pump

The below pictures show the quadport type (Left hand photo) and threaded type (Right hand photo). The threaded type is no longer available for ordering and should be replaced with a quadport type. When replacing a threaded pump head with a quadport type you will require replacement quadport hose fittings in addition to the pump head.

Quadport Type:



Screw Type:



ITEM	PART NO.	DESCRIPTION
1	6800-5160	Pumphead Kit (includes pressure switch) <u>To Suit Quadport Type</u>
	6800-5000	Replacement Pump <u>Quadport Type</u>
	6200-2980	Pipe-Fitting-Flojet-Elbow-10-13mm ShankxQuad Port Pump-Nylon
	6200-3020	Pipe-Fitting-Flojet-Straight-10-13mm ShankxQuad Port Pump-Plastic