

**4.5m Boom
1088**

INSTRUCTION LEAFLET

(Pt.No.2400-0930 Issue 5, Jan 2016)

Safe Operating Instructions

An important message for owners and operators of In-Ex attachments/accessories.

Your safety is In-Ex's primary concern. It is important that you understand that any loads or attachments whether fastened to or placed on a vehicle will alter the stability and handling characteristics of that vehicle. We take this opportunity to remind you about the simple, basic and common sense rules of safety when using spray tanks or other equipment. NEVER EXCEED THE LOAD LIMIT CAPACITY OF THE VEHICLE. Spray tanks or other equipment must be filled to a level where the gross weight is within the load limit of the vehicle.

EXERCISE EXTREME CAUTION WHEN OPERATING ON HILLY OR UNDULATING TERRAIN.

PLEASE BE CAREFUL!

Failure to follow these rules can result to severe injury or death to operators or bystanders.

WARRANTY

1 WARRANTY AND LIABILITY

Use of the equipment

- 1.1 You must satisfy yourself as to the suitability of the equipment for your intended use(s) of the equipment.

Your relationship with the retailer

- 1.2 Where you consider you have a warranty claim (or any other claim) in relation to the equipment, you must contact the retailer who sold you the equipment, not C-Dax directly. The retailer is responsible for liaising with C-Dax in respect of your claim.

Warranty

- 1.3 C-Dax warrants to the original purchaser that the equipment is sold free from defects in materials and workmanship for a period of 12 months from date of first retail sale (6 months from date of first retail sale if the equipment is sold in the U.K.) subject to the terms set out below.
- 1.4 C-Dax will at its option repair or replace the defective equipment (or part of the equipment) or notify the retailer of the equipment to refund the purchase price for such defective equipment to you in the event of a breach of this warranty, subject to the terms set out below.

Liability

- 1.5 Except for the warranty set out in clause 1.2 above, all warranties and representations (including those expressed or implied by law) in respect of the equipment or advice relating to the equipment provided to you by C-Dax are excluded to the extent permitted by law.
- 1.6 Notwithstanding anything else in this manual, C-Dax's maximum liability to you (in the event that such liability exists) in respect of any breach of warranty, any matter set out in this manual, or for defective equipment or advice relating to the equipment provided is limited at C-Dax's option to:
- (a) repairing or replacing the equipment (or part of the equipment); or
 - (b) notifying the retailer of the equipment to refund the price for the equipment paid by you.
- 1.7 Notwithstanding anything else in this manual, in no event will C-Dax be liable, whether in contract, tort (including negligence) or otherwise:
- (a) where you have altered or modified the equipment, misused or misapplied the equipment, or the equipment has been subjected to any unusual, excessive or non-recommended use, service or handling (including as set out in this manual);
 - (b) where the equipment is not transported, stored, handled or used in accordance with any directions given by C-Dax (or the retailer) to you (including as set out in this manual);
 - (c) where the equipment:
 - (i) has been subject to neglect, accident or hireage, or the damage arises from fair wear and tear, battery damage or chemical attack;
 - (ii) has been built to a customer's specifications; or
 - (iii) has been dismantled, repaired or serviced other than by an authorised service agent of C-Dax;
 - (d) for loss or damage caused by any factors beyond C-Dax's control; or
 - (e) for any loss of profit or revenue, or for any special, indirect, incidental or consequential damage, loss or injury of any kind suffered by you.
- 1.8 Where C-Dax elects to repair or replace the equipment it will use reasonable endeavours to do so as soon as practicable but will not be liable for any delay in doing so.
- 1.9 You agree that the transactions entered into between you and the retailer (and C-Dax) are for the purposes of trade and that, having regard to all relevant circumstances of the transactions, it is fair and reasonable that the provisions of the Consumer Guarantees Act 1993 (NZ) do not apply to those transactions to the fullest extent permitted by law.

DESCRIPTION

The InEx 4.5m Boom is a compact, lightweight, rugged spray boom suitable for spraying where tall brush weeds or other obstacles may damage a wider boom. The boom is only 1.5 metres wide but has an effective spray width of up to 4.5 metres. The boom is divided into three spraying sections and each nozzle is controlled individually to give optimum control.

INSTALLATION

Cut the delivery hose from the sprayer at a convenient point and fit the quick release valve from the dry break kit provided to the sprayer hose.

Cut the boom delivery hose to match and fit the male quick release fitting.

Fit the remaining male QR fitting to the spray gun hose.

Secure all hose connections with the hose clamps provided.

Use 110mm bolts and spacers when attaching to a 200 litre InEx sprayer.

This boom can only be fitted to an InEx sprayer that has the 7.6Lpm pump.

CALIBRATION

4.5M Effective Width

To calibrate the spray boom the outer nozzles must be adjusted so that their effective spray width is 1.5M each. This makes the effective width of the boom 4.5M.

Because the outer nozzles are covering an area three times as wide as each nozzle in the center section, they must be selected to produce three times the flow of each center nozzle at the same pressure.

Centre Tips (3 required)	Outer Tips (2 required)	Boom Flow @ 2bar L/Min
Yellow 02 (Pt No. 5300-9800)	OC06 (Pt No. 5300-3700)	5.83 *

(Typically a 200 litre In-Ex sprayer with this boom will spray 2.5ha)

ALLWAYS CALLIBRATE YOUR BOOM

To allow the Boom to be operated with the Flojet 7.6Lpm pump, optimum outer nozzles (OC06) are fitted along with the Yellow 02 tips in the center section. Because the OC06 tip has three times the flow rate of the Yellow 02 tip at the same pressure, the OC06 must be adjusted so that the effective spray width of each tip is 1500mm. This makes the effective spray width of the boom 4.5M.

DETERMINING APPLICATION RATE

Once the tip size and effective spray width have been set, measure the flow from the tips using a measuring jug. Calculate the boom flow rate as follows; (all flows in Litres/Minute)

$$\text{Boom Flow} = (\text{Centre tip flow} \times 3) + (\text{Outer tip flow} \times 2)$$

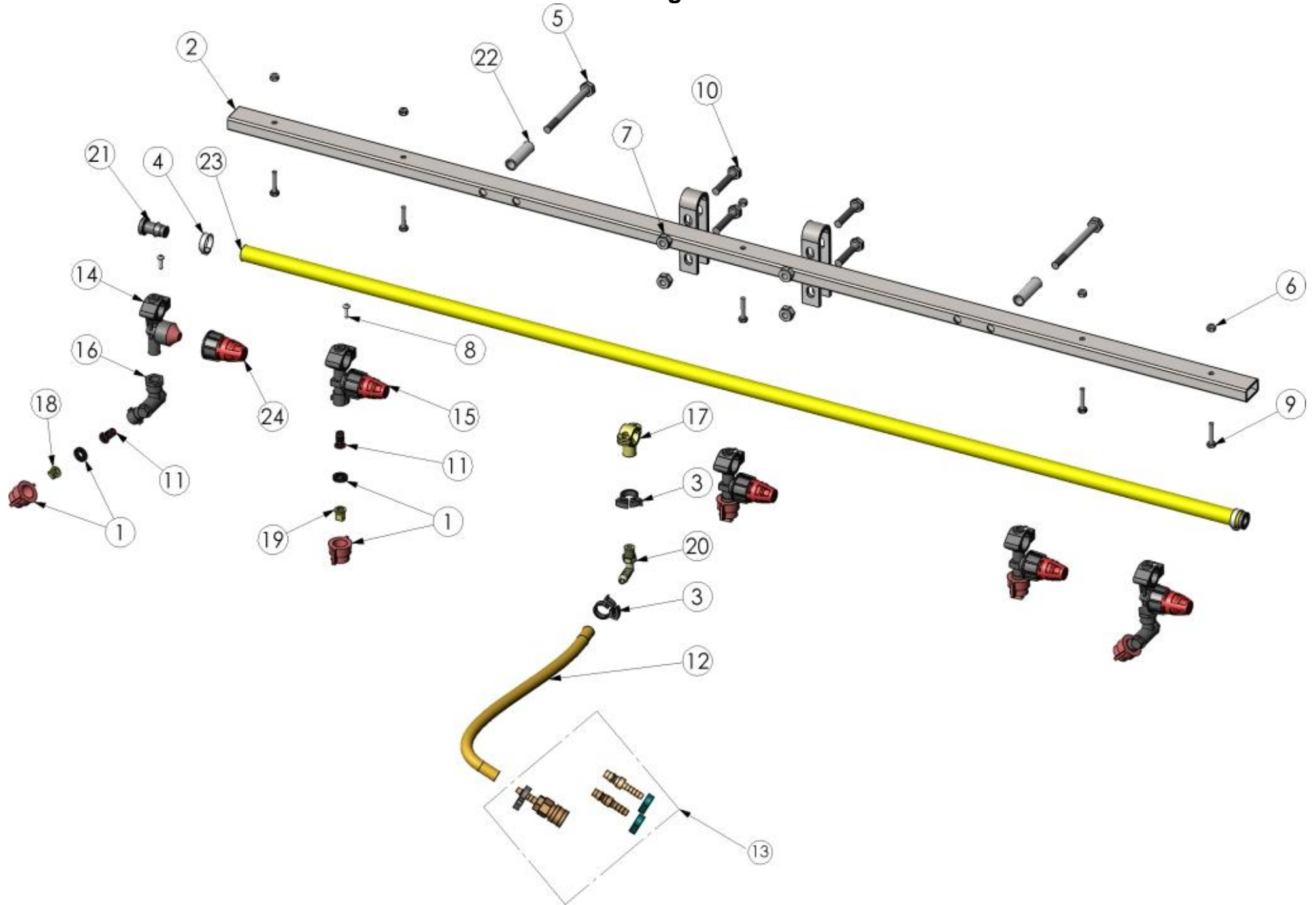
Calculate the application rate as follows;

$$\text{L/Ha} = \frac{\text{Boom Flow (L/Min)} \times 600}{\text{Effective Spray Width (Metres)} \times \text{Speed (KPH)}}$$

SPARE PARTS

Part Number	Description	Quantity Required
1600-6000	Nozzle Cap	5
3400-5400	Nozzle Filter	5
4100-0010	10mm Delivery Hose	By the meter as needed
5300-1900	Nozzle Body Inner	3
5300-1600	Nozzle Body Outer	2
5300-2600	Swivel Body Outer	2
5300-3700	OC-06 Brass Nozzle Tips	2
5300-9800	110WR02 Nozzle Tips	3

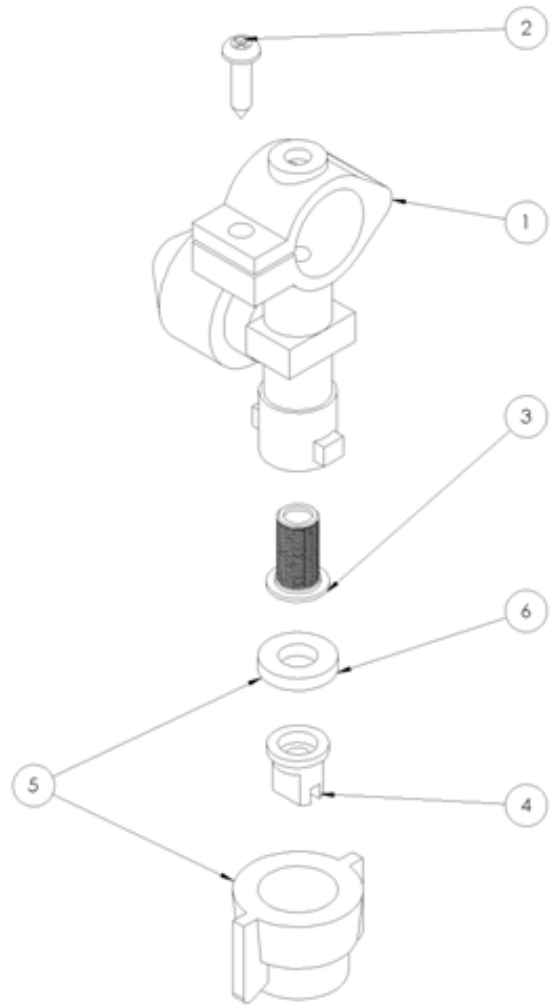
Parts Diagram



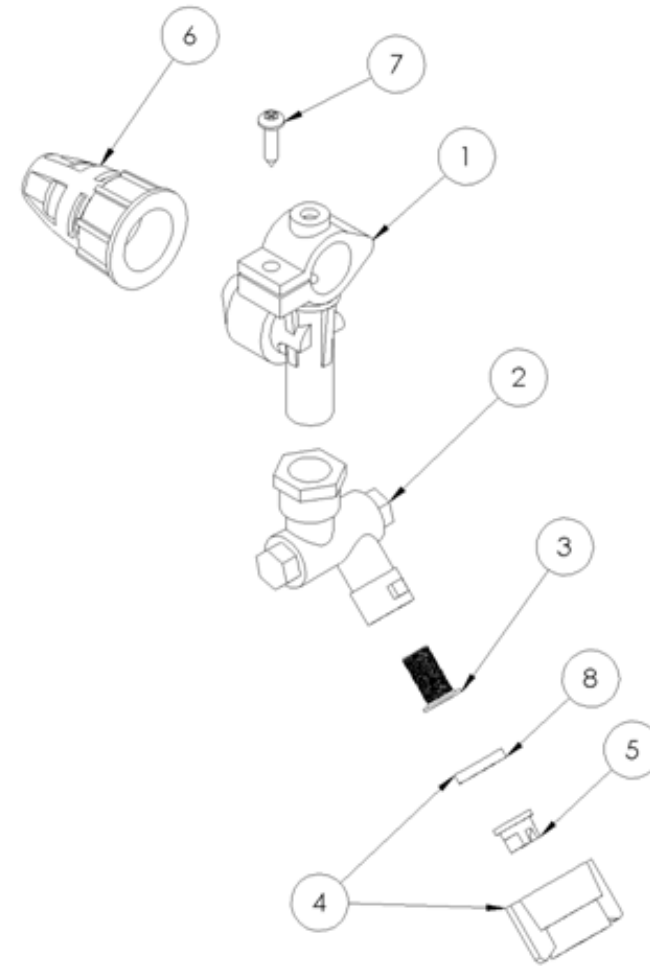
Parts List

Item No.	QTY.	part no	Description
1	5	1600-6000	Cap-Nozzle-Fan-QC-Red-Incl Gasket
2	1	1900-4310	Centre-Boom-In-Ex 4.5 G2-ZP
3	2	2000-0015	Clamp-Hose-Herbi-F-Ratchet-15.0<>17.1mm-Black-Nylon
4	2	2000-2021	Clamp-Hose-Oetiker-Single Ear Stepless-20.9<>24.1mm-S/S
5	2	2840-1110	Fastener-Bolt&Nut-Hex-8.8 Grade-M10x110-ZP
6	5	3170-0006	Fastener-Nut-Nyloc-M6-ZP
7	4	3170-0010	Fastener-Nut-Nyloc-M10-ZP
8	5	3280-0634	Fastener-Self Tap-Screw-Pan-6Gx3/4"-Pozi-ZP
9	5	3290-0630	Fastener-Set Screw-Hex-8.8 Grade-M6x30-ZP
10	4	3290-1050	Fastener-Set Screw-Hex-8.8 Grade-M10x50-ZP
11	5	3400-5400	Filter-Nozzle Tip-50 Mesh-Plastic
12	1	4100-0010	ose-Spray-Delivery-40 Bar-10mm ID-Yellow (2.5m)
13	1	4500-2200	Kit-Dry Break-8.5x10-Quick Coupler-Brass
14	2	5300-1600	Nozzle Body-DCV-3/8BSPMx22x10-Incl O'Ring-Less Cap
15	3	5300-1900	Nozzle Body-DCV-QCx22x10-W/Shut Off-Incl O'Ring-Less Cap
16	2	5300-2600	Nozzle Body-Swivel-Single-3/8BSPFxQC-Nylon
17	1	5300-2700	Nozzle Body-Wet Boom-20mm-1/4BSPF-Brass
18	2	5300-3700	Nozzle Tip-Teejet-Off Centre-OC-06-Brass
19	3	5300-9800	Nozzle-Tip-Wide Range-110WR02-Single
20	1	6200-2400	Pipe-Fitting-Elbow-10 Shankx1/4NPTM-Nylon
21	2	6200-6250	Pipe-Fitting-Plug-Push In-Barbed Shank-16mm-Plastic-Black
22	2	8100-1200	Spacer-ATV Boom-EWST-16x2x50LG-ZP
23	1	8840-3715	Tube-Gas-Semi Rigid-15mm ID-Yellow-Polyethylene (1.47m)
24	2	8900-5300	Valve-Nozzle Body-Shut Off-Incl DCV

INNER NOZZLE BODY PARTS



OUTER NOZZLE BODY PARTS



Item No.	QTY.	e9 part no	e9 description
1	1	5300-1900	Nozzle Body-DCV-QCx22x10-Incl O'Ring-Less Cap
2	1	3280-0634	Fastener-Self Tap-Screw-Pan-6Gx3/4'-Pozi-ZP
3	1	3400-5400	Filter-Nozzle Tip-50 Mesh-Plastic
4	1	5300-XXXX	Nozzle-Tip-SPECIFY TYPE WHEN ORDERING
5	1	1600-6000	Cap-Nozzle-Fan-QC-Red-Incl Gasket
6	1	3700-9250	Gasket-Washer-Nozzle Tip Sealing-10x19x3.5mm-Rubber
6	1	5300-1600	Nozzle Body-DCV-3/8BS PMx22x10-Incl O'Ring-Less Cap
7	1	5300-2600	Nozzle Body-Swivel-Single-3/8BS PFxQC-Nylon
8	1	3400-5400	Filter-Nozzle Tip-50 Mesh-Plastic
4	1	1600-6000	Cap-Nozzle-Fan-QC-Red-Incl Gasket
5	1	5300-XXXX	Nozzle-Tip-SPECIFY TYPE WHEN ORDERING
6	1	8900-5300	Valve-Nozzle Body-Shut Off-Incl DCV
7	1	3280-0634	Fastener-Self Tap-Screw-Pan-6Gx3/4'-Pozi-ZP