



ELIMINATOR TANK Pt. No 1017

INSTRUCTION LEAFLET

(Pt.No.2400-0820 Issue 11, June 2018)

SAFETY PRECAUTIONS

This product MUST NOT be mounted on an ATV Carrier.

Use in any manner other than that recommended by the manufacturer vests sole responsibility with the operator.

Read manufacturers instructions before mixing chemicals. Always wear protective clothing when handling or using chemicals.

Description

The C-Dax Eliminator Tank assembly is a 50 Litre self-contained spray tank that can be mounted directly onto the Eliminator frame. This eliminates the need for a separate spray unit. It is especially suitable where there is insufficient space on the towing vehicle for a Sprayrider or 200L spray unit. It is supplied with an electrical cable to connect to the Eliminator control unit and delivery hose to connect to the Eliminator fluid connection. The Eliminator tank assembly can be fitted to Eliminators manufactured after 1 December 1998. It is not suitable for fitting to ganged Eliminators.

It can also be fitted to Eliminator+ units with these additional parts:

Description	Part Number
Eliminator+ tank mounting bracket	1300-6510
M12x90 hex bolt	2840-1290
M12 nyloc nut	3170-0012

WARRANTY

1 **WARRANTY AND LIABILITY**

Use of the equipment

- 1.1 You must satisfy yourself as to the suitability of the equipment for your intended use(s) of the equipment.

Your relationship with the retailer

- 1.2 Where you consider you have a warranty claim (or any other claim) in relation to the equipment, you must contact the retailer who sold you the equipment, not C-Dax directly. The retailer is responsible for liaising with C-Dax in respect of your claim.

Warranty

- 1.3 C-Dax warrants to the original purchaser that the equipment is sold free from defects in materials and workmanship for a period of 12 months from date of first retail sale (6 months from date of first retail sale if the equipment is sold in the U.K.) subject to the terms set out below.
- 1.4 C-Dax will at its option repair or replace the defective equipment (or part of the equipment) or notify the retailer of the equipment to refund the purchase price for such defective equipment to you in the event of a breach of this warranty, subject to the terms set out below.

Liability

- 1.5 Except for the warranty set out in clause 1.2 above, all warranties and representations (including those expressed or implied by law) in respect of the equipment or advice relating to the equipment provided to you by C-Dax are excluded to the extent permitted by law.
- 1.6 Notwithstanding anything else in this manual, C-Dax's maximum liability to you (in the event that such liability exists) in respect of any breach of warranty, any matter set out in this manual, or for defective equipment or advice relating to the equipment provided is limited at C-Dax's option to:
- (a) repairing or replacing the equipment (or part of the equipment); or
 - (b) notifying the retailer of the equipment to refund the price for the equipment paid by you.
- 1.7 Notwithstanding anything else in this manual, in no event will C-Dax be liable, whether in contract, tort (including negligence) or otherwise:
- (a) where you have altered or modified the equipment, misused or misapplied the equipment, or the equipment has been subjected to any unusual, excessive or non-recommended use, service or handling (including as set out in this manual);
 - (b) where the equipment is not transported, stored, handled or used in accordance with any directions given by C-Dax (or the retailer) to you (including as set out in this manual);
 - (c) where the equipment:

- (i) has been subject to neglect, accident or hireage, or the damage arises from fair wear and tear, battery damage or chemical attack;
 - (ii) has been built to a customer's specifications; or
 - (iii) has been dismantled, repaired or serviced other than by an authorised service agent of C-Dax;
- (d) for loss or damage caused by any factors beyond C-Dax's control; or
- (e) for any loss of profit or revenue, or for any special, indirect, incidental or consequential damage, loss or injury of any kind suffered by you.
- 1.8 Where C-Dax elects to repair or replace the equipment it will use reasonable endeavours to do so as soon as practicable but will not be liable for any delay in doing so.
- 1.9 You agree that the transactions entered into between you and the retailer (and C-Dax) are for the purposes of trade and that, having regard to all relevant circumstances of the transactions, it is fair and reasonable that the provisions of the Consumer Guarantees Act 1993 (NZ) do not apply to those transactions to the fullest extent permitted by law.

Contents

Tank assembly complete with; lid, pump and wiring, suction filter, flow splitter and delivery hose. Cable Ties

Installation

Remove the four screws securing the blue cover and remove the cover.

Connect the short length of delivery hose to the tee at the centre of the Eliminator fluid line and run it between the tow bar sockets on the frame.

Locate the 8mm quick release valve and mating part from the Eliminator parts kit.

Place the tank on the frame and slide it forward until the lip at the front is just clear of the Eliminator shroud. Route the delivery hose under the tank but over the wipers then between the towbar sockets on the frame, connecting it to the tee at the centre of the Eliminator fluid line. Because the Eliminator is designed to operate at low pressure, hose clamps are not required.

Slide the tank fully forward to locate under the front shroud of the Eliminator or under the front lip of the tank bracket when fitting to Eliminator+.

Unwind the electrical cable and run it forward to connect with the cable from the Eliminator control unit. Secure the cable with the cable ties provided or tape.

Ensure the tank bracket is attached to the blue cover and slide the tank bracket onto the hook at the rear of the frame. Screw the blue cover back onto the tank and ensure that it is secure. Ensure that the hose and cable are secured so that there is only enough slack to allow access to the delivery hose under the tank. There must be no loops behind the tank to catch on foliage.

Note

The tank assembly does not require the hose assembly or threaded quick release valve supplied with the Eliminator. These parts are used to connect the Eliminator to the Sprayrider or 200L series sprayers.

Operating Instructions

Place fluid in the tank through the strainer basket. Turn the control unit switch on. The pump will run for a period then turns off as described in the Eliminator owner's manual.

Calibration

The following table gives the nominal application rates for the settings on the control unit. The table should be used as a guide only.

Nominal Application Rates (Litres per Hectare)

Control Position	8 Kph	12 Kph
1	3	2
2	8	5
3	15	10
4	22	14
5	27	18
6	33	22
7	37	25

Maintenance

Cleaning Tank. When wiping is finished rinse the tank with clean water and pump the contents out through the wiper. A triple rinse is recommended. The tank may also be drained by removing the drain plug at the bottom of the sump.

Filter Maintenance. After each use it is recommended that the suction filter element and the flow plate filters, located under the white nuts at the pump outlet, be removed and cleaned.

Note

When replacing the flow plates and filters ensure that the check valve filter is installed in the delivery line rather than the return line to the tank. Note also that the flow plates fitted to the Eliminator tank are not interchangeable with those supplied with the Eliminator hose assembly or with the earlier Z Wiper models.

Pressure Switch Adjustments. The pump pressure switch is factory set to 35 psi. Adjustment should not be necessary under normal operating conditions. Increasing the pressure setting will not increase pump flow but may reduce pump life.

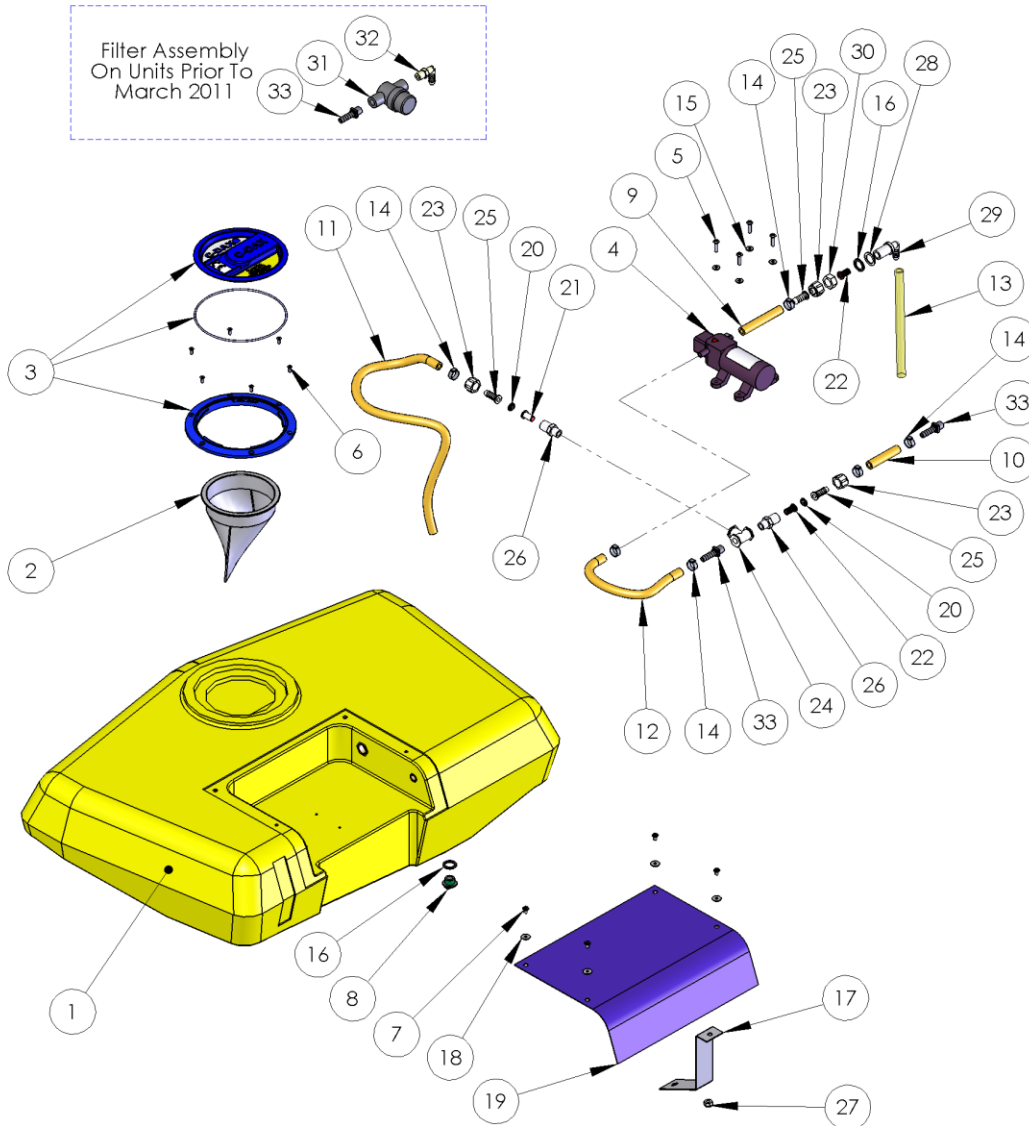
Trouble shooting

- Pump will not prime:** Check that the suction filter bowl is tight.
Check that the filter bowl seal has not been dislodged.
Check that the suction filter is not blocked.
- Pump pulses:** Check that the flow plates and filters beneath the white nuts in the delivery and return lines are not blocked.
- Pump will not run:** Check electrical connections and control unit fuse.

Spare Parts

The following spare parts are stocked for the Eliminator Tank and should be ordered quoting the part number. Only parts likely to be replaced by the operator are listed. For other parts please contact your dealer.

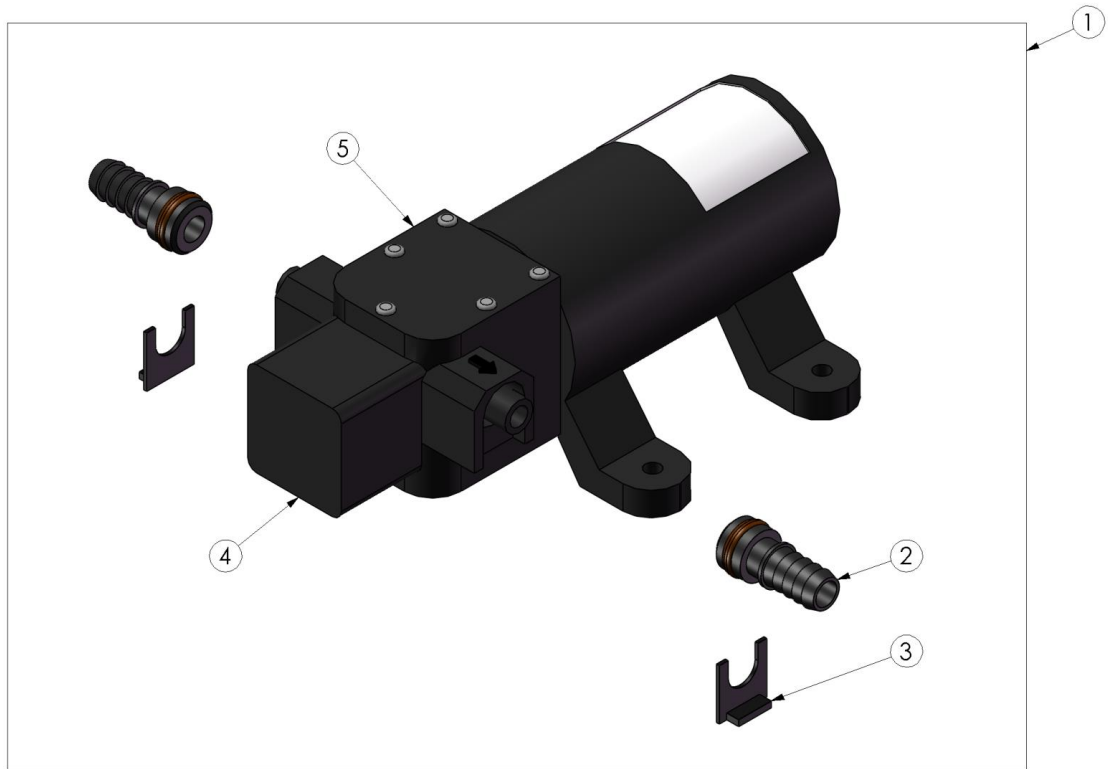
Part No.	Description	Qty Per Unit
8427-6005	Lid & Ring Assembly-D150-C-Dax Vented-Blue-Nylon	1
3400-1110	Filter-Basket-D150-Mesh	1
4100-0008	Hose-Spray-Delivery-40 Bar-8.5mm ID-Yellow	1.2M
6800-4000	Pump-Flojet-LF12-12 Volt-3.8LPM-10mm Hose Shanks	1
6800-4020	Pump-Flojet-LF12-Motor-12V	1
6800-4030	Pump-Flojet-LF12-PumpHead Complete-Threaded Ports	1
6800-4040	Pump-Flojet-LF12-Switch-Pressure-60PSI	1
3700-9130	Gasket-Washer-17x23x2-Rubber	1
6200-6260	Pipe-Fitting-Plug-Thumb Screw-3/8BSPM-Black-Plastic	1
3400-5410	Filter-Nozzle-Tip-Incl Check Valve-50Mesh-5PSI-SS Ball-Plastic	1
3400-5400	Filter-Nozzle Tip-50 Mesh-Plastic	1
5300-5100	Nozzle-Plate-Teejet-Orifice-0.063in-SS	2
6250-3001	Plug-Electrical-2 Pin-Male-20 Amp-With Cover	1
3400-5400	Filter-Nozzle Tip-50 Mesh-Plastic	1



ITEM NO.	QTY.	e9 part no	e9 description
1	1	7500-5000	Rota-Tank-Eliminator-Yellow-MDPE
2	1	3400-1110	Filter-Basket-D150-Mesh
3	1	8427-6005	Lid & Ring Assembly-D150-C-Dax Vented-Blue-Nylon
4	1	6800-4000	Pump-Flojet-LF12-12 Volt-3.8LPM-10mm Hose Shanks
5	4	3110-0520	Fastener-Machine-Screw-Pan-M5x20-Pozi-ZP
6	6	3270-8012	Fastener-Self Tap-Screw-CSK-8Gx1/2"-Pozi-Stainless
7	4	3110-0508	Fastener-Machine-Screw-Pan-M5x8-Slot-ZP
8	0	6200-6260	Pipe-Fitting-Plug-Thumb Screw-3/8BSPM-Black-Plastic
9	1	4100-0008	Hose-Spray-Delivery-40 Bar-8.5mm ID-Yellow (0.105m)
10	1	4100-0008	Hose-Spray-Delivery-40 Bar-8.5mm ID-Yellow (0.07m)
11	1	4100-0008	Hose-Spray-Delivery-40 Bar-8.5mm ID-Yellow (1.2m)
12	1	4100-0008	Hose-Spray-Delivery-40 Bar-8.5mm ID-Yellow (0.28m)
13	1	8840-8410	Tube-Transluscent-10MM-100PSI (0.225m)
14	7	2000-2014	Clamp-Hose-Oetiker-Single Ear Stepless-14.5<>7.0mm-S/S
15	4	3310-6005	Fastener-Washer-Flat-M5-ZP
16	0	3700-9130	Gasket-Washer-17x23x2-Rubber
17	1	1300-8400	Bracket-Tank-Eliminator-ZP
18	4	3310-9210	Fastener-Washer-Flat-3/16"x7/8"x1.5-Grade 304-Stainless
19	1	2250-8300	Cover-Tank-Eliminator-PC
20	2	5300-5100	Nozzle-Plate-Teejet-Orifice-0.063in-SS
21	1	3400-5410	Filter-Nozzle-Tip-Incl Check Valve-50Mesh-5PSI-SS Ball-Plastic
22	2	3400-5400	Filter-Nozzle Tip-50 Mesh-Plastic
23	3	6200-5550	Pipe-Fitting-Nut-Swivel-11/16UNFF-Plastic
24	1	6200-9100	Pipe-Fitting-Tee-1/4BSPFx1/4BSPFx1/4BSPF-Plastic
25	3	6200-8220	Pipe-Fitting-Straight-10 Shank-Swivel-Suit Fly Nut-Plastic
26	2	6200-7380	Pipe-Fitting-Reducer-11/16UNCx1/4UNFM-Straight-Plastic
27	1	3170-0008	Fastener-Nut-Nyloc-M8-ZP
28	1	3700-9150	Gasket-Washer-25x17.4x1.4-Nylon
29	1	6200-9400	Pipe-Fitting-Thru Tank-Elbow-10 Shankx11/16UNFM-Nylon
30	1	6200-5420	Pipe-Fitting-Nut-Back-11/16UNFM-Plastic
31	1	3400-2980	Filter-In Line-Hypro-50 Mesh S/S-1/2NPTM-Polpropylene
32	1	6200-2400	Pipe-Fitting-Elbow-10 Shankx1/4NPTM-Nylon
33	3	6200-9340	Pipe-Fitting-Teejet-Straight-10 Shankx1/4NPTM-Plastic

FLOJET LF12 REPLACEMENT PARTS

The following are the C-Dax replacement parts available for the 12V Flojet 3.8 L/Min pump



Item No.	QTY.	e9 part no	e9 description
1	1	6800-4000	Pump-Flojet-LF12-12 Volt-3.8LPM-10mm Hose Shanks
2	2	6200-3015	Pipe-Fitting-Flojet-Straight-LF12-10mm ShankxQuad Port Pump-Plastic
3	2	6800-2945	Pump-Flojet LF12-Clip-Hose Fitting-Quad Port-Sliding
4	1	6800-4040	Pump-Flojet-LF12-Switch-Pressure-35PSI
5	1	6800-4030	Pump-Flojet-LF12-PumpHead Complete inc P/Switch-Barbed Ports

These parts may be ordered through any C-Dax dealer.