



MULTI BOOM 1018

INSTRUCTION LEAFLET

(Pt.No.2400-0720 Issue 9, December 2016)

SAFETY PRECAUTIONS

AN IMPORTANT MESSAGE FOR OWNERS & OPERATORS OF C-Dax ATTACHMENTS AND ACCESSORIES

Be warned of the dangers of loading your ATV or other vehicle in excess of its carrying capacity. It is important to understand that any loads or attachments whether fastened to or placed on a vehicle or ATV will alter the stability or handling characteristics of that vehicle or ATV.

Spray tanks or other equipment must be filled only to a level where the gross weight is within the load limit of the ATV or other vehicle.

Safety is a primary concern in the design, manufacture, sale, and use of spray tanks and other equipment. As manufacturers of spray tanks and other equipment we want to confirm to you, our customers, our concern for safety. We take this opportunity to remind you about the simple, basic and common sense rules of safety when using spray tanks and other equipment. Failure to follow these rules can result in severe injury or death to operators and bystanders.

It is essential that everyone involved in the assembly, operation, transport, maintenance and storage of this equipment be aware, concerned, prudent and properly trained in safety.

This also applies to equipment that is loaned or rented to someone who has not read the owner's manual and is not familiar with the operation of application equipment.

- NEVER EXCEED THE LOAD LIMIT CAPACITY OF THE ATV OR OTHER VEHICLE.
- PLEASE NOTE THAT FILLING THE SPRAY TANK OR OTHER EQUIPMENT COMPLETELY AND OR THE ATTACHMENT OF ADDITIONAL EQUIPMENT TO THE ATV MAY EXCEED THE ATV'S MAXIMUM LOAD CAPACITY AND IT IS NOT RECOMMENDED TO EXCEED MANUFACTURERS GUIDELINES
- CARGO SHOULD BE PROPERLY DISTRIBUTED AND SECURELY ATTACHED.
- REDUCE SPEED WHEN CARRYING CARGO OR PULLING A TRAILER OR TRAILED APPLICATION EQUIPMENT AND ALLOW GREATER DISTANCE FOR BRAKING.
- NEVER ALLOW ANYONE TO RIDE ON YOUR SPRAYER OR OTHER EQUIPMENT.
- ALWAYS FOLLOW THE INSTRUCTIONS IN THE OWNER'S VEHICLE MANUAL FOR CARRYING CARGO OR PULLING A TRAILER.
- PROPER MAINTENANCE IN LINE WITH MANUFACTURER'S RECOMMENDED MAINTENANCE PROCEDURES IS ESSENTIAL.
- BEFORE APPLYING CHEMICALS, READ THE LABEL OF THE CHEMICAL MANUFACTURER OR SUPPLIER FOR PERSONAL PROTECTIVE EQUIPMENT AND OPERATE AS RECOMMENDED.
- THE SAFETY OF ALL CHEMICALS USED IN AGRICULTURE IS UNDER THE JURISDICTION OF A GOVERNMENT AGENCY, IE N.Z. MINISTRY FOR THE ENVIRONMENT; USA ENVIRONMENTAL PROTECTION AGENCY. FURTHER LOCAL GOVERNMENT OR STATE LAWS MAY APPLY.

WARRANTY

1 WARRANTY AND LIABILITY

Use of the equipment

- 1.1 You must satisfy yourself as to the suitability of the equipment for your intended use(s) of the equipment.

Your relationship with the retailer

- 1.2 Where you consider you have a warranty claim (or any other claim) in relation to the equipment, you must contact the retailer who sold you the equipment, not C-Dax directly. The retailer is responsible for liaising with C-Dax in respect of your claim.

Warranty

- 1.3 C-Dax warrants to the original purchaser that the equipment is sold free from defects in materials and workmanship for a period of 12 months from date of first retail sale (6 months from date of first retail sale if the equipment is sold in the U.K.) subject to the terms set out below.
- 1.4 C-Dax will at its option repair or replace the defective equipment (or part of the equipment) or notify the retailer of the equipment to refund the purchase price for such defective equipment to you in the event of a breach of this warranty, subject to the terms set out below.

Liability

- 1.5 Except for the warranty set out in clause 1.2 above, all warranties and representations (including those expressed or implied by law) in respect of the equipment or advice relating to the equipment provided to you by C-Dax are excluded to the extent permitted by law.
- 1.6 Notwithstanding anything else in this manual, C-Dax's maximum liability to you (in the event that such liability exists) in respect of any breach of warranty, any matter set out in this manual, or for defective equipment or advice relating to the equipment provided is limited at C-Dax's option to:
- (a) repairing or replacing the equipment (or part of the equipment); or
 - (b) notifying the retailer of the equipment to refund the price for the equipment paid by you.
- 1.7 Notwithstanding anything else in this manual, in no event will C-Dax be liable, whether in contract, tort (including negligence) or otherwise:
- (a) where you have altered or modified the equipment, misused or misapplied the equipment, or the equipment has been subjected to any unusual, excessive or non-recommended use, service or handling (including as set out in this manual);
 - (b) where the equipment is not transported, stored, handled or used in accordance with any directions given by C-Dax (or the retailer) to you (including as set out in this manual);
 - (c) where the equipment:
 - (i) has been subject to neglect, accident or hireage, or the damage arises from fair wear and tear, battery damage or chemical attack;
 - (ii) has been built to a customer's specifications; or

(iii) has been dismantled, repaired or serviced other than by an authorised service agent of C-Dax;

(d) for loss or damage caused by any factors beyond C-Dax's control; or

(e) for any loss of profit or revenue, or for any special, indirect, incidental or consequential damage, loss or injury of any kind suffered by you.

1.8 Where C-Dax elects to repair or replace the equipment it will use reasonable endeavours to do so as soon as practicable but will not be liable for any delay in doing so.

1.9 You agree that the transactions entered into between you and the retailer (and C-Dax) are for the purposes of trade and that, having regard to all relevant circumstances of the transactions, it is fair and reasonable that the provisions of the Consumer Guarantees Act 1993 (NZ) do not apply to those transactions to the fullest extent permitted by law.

DESCRIPTION

The Multiboom is a compact, lightweight, rugged spray boom suitable for spraying where tall brush weeds or other obstacles may damage a wider boom. The boom is only 1.5 metres wide but has an effective spray width of up to 4.5 metres. The boom is divided into five spraying sections each controlled by a shut-off valve located on each of the nozzle bodies. The outer nozzles are mounted on swivel fittings that allow the effective spray width to be adjusted.

Optional parts are as follows

4500-1050	Standard Mounting Brackets
1074	Where an existing Quicksmart Frame is mounted
1073	Quicksmart frame (to be used in conjunction with 1074)

INSTALLATION

All Models

Cut the delivery hose from the sprayer at a convenient point and fit the quick release valve from the dry break kit provided to the sprayer hose.

Cut the boom delivery hose to match and fit the male quick release fitting.

Fit the remaining male QR fitting to the spray gun hose.

Secure all hose connections with the hose clamps provided.

Quick Smart Mounted Booms Only

For booms without Quicksmart™, bolt the boom to an appropriate surface using the boom mounting holes and round spacer tubes.

With QSA Frame;

Fit QS upright bars to centre frame of sprayer using M10x30 bolts and nuts supplied. Fit with mounting lugs facing inwards.

Fit sprayer to Quicksmart™ frame and unfold arms.

With QS Frame;

Install the Quicksmart™ frame as detailed in the mounting instructions.

Fit sprayer to Quicksmart™ frame and unfold arms.

Set boom to required spraying height by fitting the QS mount bars on the high or low position, and/or adjusting the position of the mount bars on the centre frame of the sprayer.

NOTE

The QS upright bars can be adjusted in 50mm increments on the sprayer centre frame.

CALIBRATION

4.5M Effective Width

To calibrate the Multiboom, the outer nozzles must be adjusted so that their effective spray width is 1.5M each. This makes the effective width of the boom 4.5M.

Because the outer nozzles are covering an area three times as wide as each nozzle in the center section, they must be selected to produce three times the flow of each center nozzle at the same pressure.

Centre Tips (3 required)	Outer Tips (2 required)	Boom Flow @ 2bar L/Min
Yellow 02 (Pt No. 5300-9800)	OC06 (Pt No. 5300-3700)	5.83

Operating Shut-off Valves

Locate the red shut-off knob on the side of each nozzle body. Rotate the knob clockwise to shut the flow off to the tip, anti-clockwise to allow fluid through the tip. The knob may need to be pushed in towards the nozzle body in order to relocate on the thread.

DETERMINING APPLICATION RATE

Once the tip size and effective spray width have been set, measure the flow from the tips using a measuring jug. Calculate the boom flow rate as follows; (all flows in Litres/Minute)

$$\text{Boom Flow} = (\text{Centre tip flow} \times 3) + (\text{Outer tip flow} \times 2)$$

Calculate the application rate as follows;

$$L/ha = \frac{\text{Boom Flow (L/Min)} \times 600}{\text{Effective Spray Width (Metres)} \times \text{Speed (KPH)}}$$

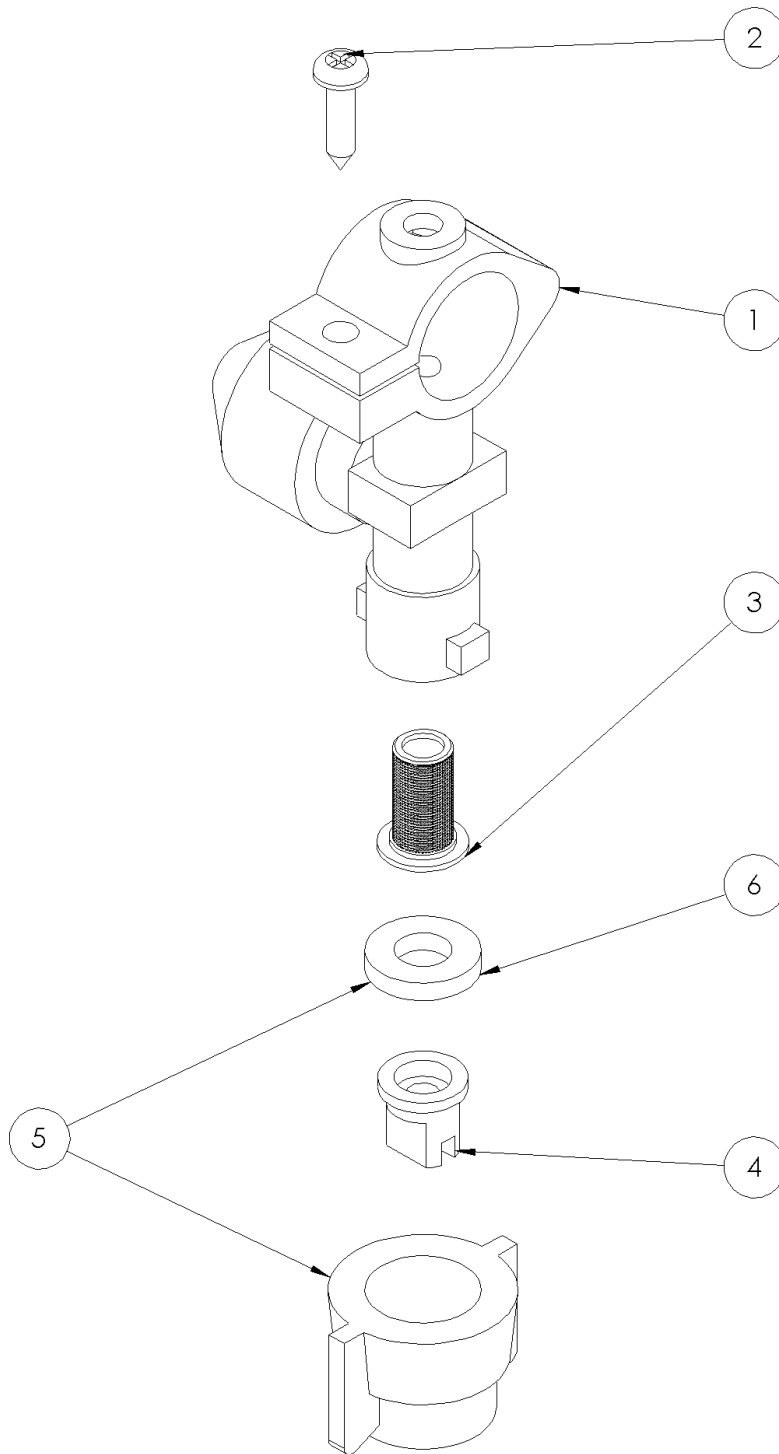
SPARE PARTS

Part Number	Description	Quantity Required
1600-6000	Nozzle Cap	5
3400-5400	Nozzle Filter	5
4100-0010	8.5mm Delivery Hose	By the metre as needed
5300-1900	Nozzle Body Inner	3
5300-1600	Nozzle Body Outer	2
5300-2600	Swivel Body Outer	2
5300-3700	OC-06 Brass Nozzle Tips	2
5300-9800	110WR02 Nozzle Tips	3

PARTS LIST

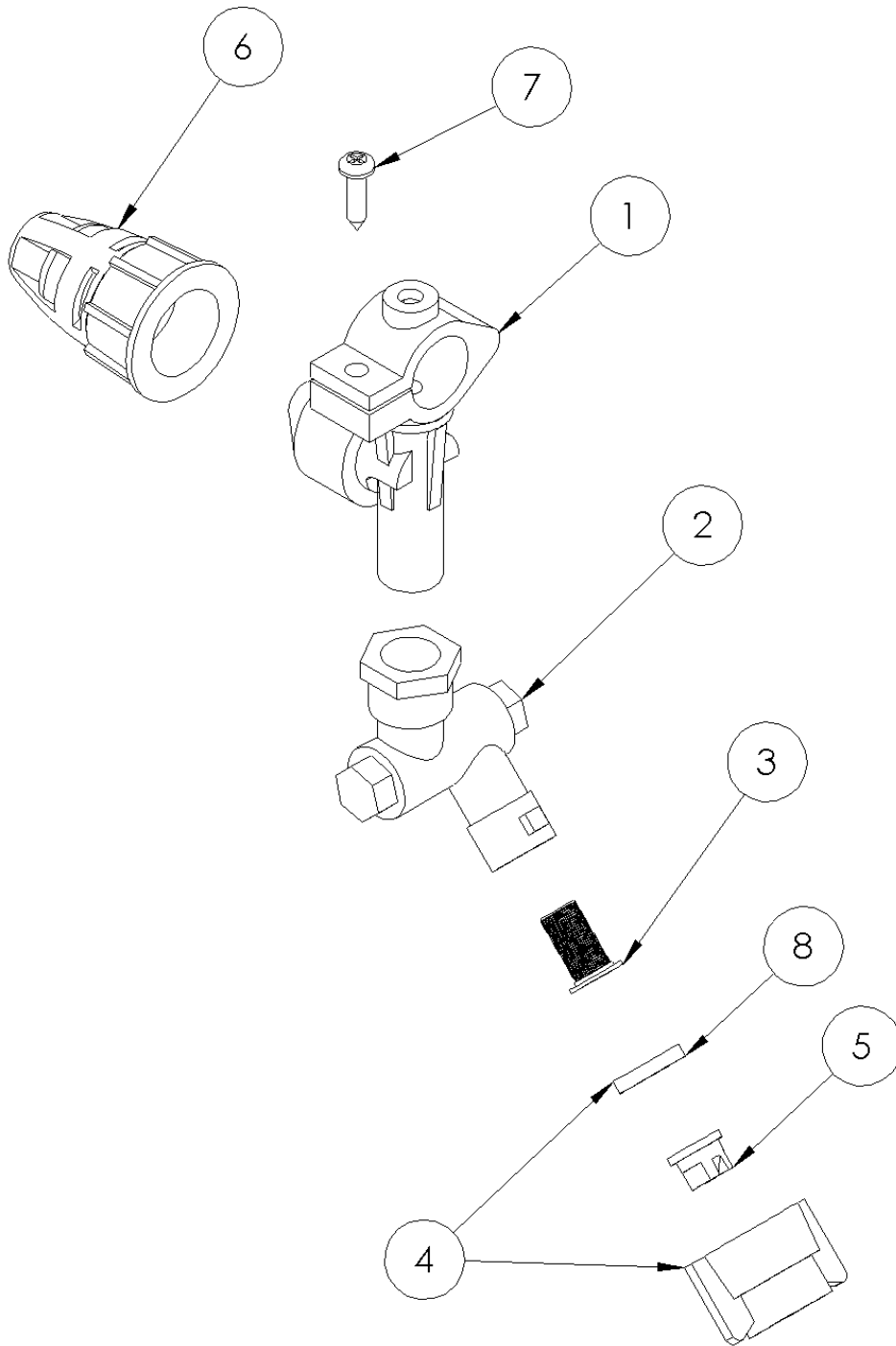
Item No.	QTY.	e9 part no	Description
1	5	1600-6000	Cap-Nozzle-Fan-QC-Red-Incl Gasket
2	1	1900-1300	Centre-Boom-BF1545 G2-ZP
3	1	2000-0015	Clamp-Hose-Herbi-F-Ratchet-15.0<>17.1mm-Black-Nylon
4	4	2000-2021	Clamp-Hose-Oetiker-Single Ear Stepless-20.9<>24.1mm-S/S
5	2	2840-1080	Fastener-Bolt&Nut-Hex-8.8 Grade-M10x80-ZP
6	5	3170-0006	Fastener-Nut-Nyloc-M6-ZP
7	2	3170-0010	Fastener-Nut-Nyloc-M10-ZP
8	5	3280-0634	Fastener-Self Tap-Screw-Pan-6Gx3/4"-Pozi-ZP
9	5	3290-0616	Fastener-Set Screw-Hex-8.8 Grade-M6x16-ZP
10	4	3310-6010	Fastener-Washer-Flat-M10-ZP
11	5	3400-5400	Filter-Nozzle Tip-50 Mesh-Plastic
12	1	4100-0010	Hose-Spray-Delivery-40 Bar-10mm ID-Yellow (2.5m)
13	1	4500-2200	Kit-Dry Break-8.5x10-Quick Coupler-Brass
14	2	5300-1600	Nozzle Body-DCV-3/8BSPMx22x10-Incl O'Ring-Less Cap
15	3	5300-1900	Nozzle Body-DCV-QCx22x10-W/Shut Off-Incl O'Ring-Less Cap
16	2	5300-2600	Nozzle Body-Swivel-Single-3/8BSPFxQC-Nylon
17	2	5300-3700	Nozzle Tip-Teejet-Off Centre-OC-06-Brass
18	3	5300-9800	Nozzle-Tip-Wide Range-110WR02-Single
19	2	6200-6250	Pipe-Fitting-Plug-Push In-Barbed Shank-16mm-Plastic-Black
20	1	6200-9180	Pipe-Fitting-Tee-16 Shankx10 Shankx16 Shank-Plastic
21	2	8100-1200	Spacer-ATV Boom-EWST-16x2x50LG-ZP
22	1	8840-3715	Tube-Gas-Semi Rigid-15mm ID-Yellow-Polyethylene (0.8m)
23	1	8840-3715	Tube-Gas-Semi Rigid-15mm ID-Yellow-Polyethylene (0.65M)
24	2	8900-5300	Valve-Nozzle Body-Shut Off-Incl DCV

INNER NOZZLE BODY PARTS



Item No.	QTY.	e9 part no	e9 description
1	1	5300-1900	Nozzle Body-DCV-QCx22x10-Incl O'Ring-Less Cap
2	1	3280-0634	Fastener-Self Tap-Screw-Pan-6Gx3/4"-Pozi-ZP
3	1	3400-5400	Filter-Nozzle Tip-50 Mesh-Plastic
4	1	5300-XXXX	Nozzle-Tip- SPECIFY TYPE WHEN ORDERING
5	1	1600-6000	Cap-Nozzle-Fan-QC-Red-Incl Gasket
6	1	3700-9250	Gasket-Washer-Nozzle Tip Sealing-10x19x3.5mm-Rubber

OUTER NOZZLE BODY PARTS



Item No.	QTY.	e9 part no	e9 description
1	1	5300-1600	Nozzle Body-DCV-3/8BSPMx22x10-Incl O'Ring-Less Cap
2	1	5300-2600	Nozzle Body-Swivel-Single-3/8BSPFxQC-Nylon
3	1	3400-5400	Filter-Nozzle Tip-50 Mesh-Plastic
4	1	1600-6000	Cap-Nozzle-Fan-QC-Red-Incl Gasket
5	1	5300-XXXX	Nozzle-Tip- SPECIFY TYPE WHEN ORDERING
6	1	8900-5300	Valve-Nozzle Body-Shut Off-Incl DCV
7	1	3280-0634	Fastener-Self Tap-Screw-Pan-6Gx3/4"-Pozi-ZP